

INSTALLATION MANUAL

AIR CONDITIONER

Please read this installation manual completely before installing the product.
Installation work must be performed in accordance with the national wiring standards by authorized personnel only.
Please retain this installation manual for future reference after reading it thoroughly.

Floor Standing Type(Console)



MFL6785553
Rev.00_092419

www.lghvac.com
www.lg.com

Copyright © 2019 LG Electronics Inc. All Rights Reserved.

TABLE OF CONTENTS

3 SAFETY INSTRUCTIONS

7 INSTALLATION

- 7 Installation Map
- 8 Drawing of the indoor unit
- 9 Choosing an installation Site
- 10 Indoor unit installation
- 16 Flaring Work
- 17 Connecting the Piping

19 WIRING CONNECTION

- 19 Wiring Connection
- 21 Electrical Wiring
- 21 Installation of Front Panel
- 22 Test Running


24 WARRANTY (USA)

26 WARRANTY (CANADA)

Safety Instructions

The following safety guidelines are intended to prevent unforeseen risks or damage from unsafe or incorrect operation of the appliance.

The guidelines are separated into 'WARNING' and 'CAUTION' as described below.

 This symbol is displayed to indicate matters and operations that can cause risk. Read the part with this symbol carefully and follow the instructions in order to avoid risk.

WARNING

This indicates that the failure to follow the instructions can cause serious injury or death.

CAUTION

This indicates that the failure to follow the instructions can cause the minor injury or damage to the product.

WARNING

Installation

- Do not use a defective or underrated circuit breaker. Use this appliance on a dedicated circuit.
 - There is risk of fire or electric shock.
- For electrical work, contact the dealer, seller, a qualified electrician, or an Authorized Service Center.
 - Do not disassemble or repair the product. There is risk of fire or electric shock.
- Always ground the product.
 - There is risk of fire or electric shock.
- Install the panel and the cover of control box securely.
 - There is risk of fire or electric shock.
- Always install a dedicated circuit and breaker.
 - Improper wiring or installation may cause fire or electric shock
- Use the correctly rated breaker or fuse.
 - There is risk of fire or electric shock.
- Do not modify or extend the power cable.
 - There is risk of fire or electric shock.
- Do not install, remove, or re-install the unit by yourself (customer).
 - There is risk of fire, electric shock, explosion, or injury.
- Be cautious when unpacking and installing the product.
 - Sharp edges could cause injury. Be especially careful of the case edges and the fins on the condenser and evaporator.
- For installation, always contact the dealer or an Authorized Service Center.
 - There is risk of fire, electric shock, explosion, or injury.

- Do not install the product on a defective installation stand.
 - It may cause injury, accident, or damage to the product.
- Be sure the installation area does not deteriorate with age.
 - If the base collapses, the air conditioner could fall with it, causing property damage, product failure, and personal injury.
- Use a vacuum pump or Inert (nitrogen) gas when doing leakage test or air purge. Do not compress air or Oxygen and Do not use Flammable gases. Otherwise, it may cause fire or explosion.
 - There is the risk of death, injury, fire or explosion.

Operation

- Do not let the air conditioner run for a long time when the humidity is very high and a door or a window is left open.
 - Moisture may condense and wet or damage furniture.
- Take care to ensure that power cable could not be pulled out or damaged during operation.
 - There is risk of fire or electric shock.
- Do not place anything on the power cable.
 - There is risk of fire or electric shock.
- Do not plug or unplug the power supply plug during operation.
 - There is risk of fire or electric shock.
- Do not touch(operate) the product with wet hands.
 - There is risk of fire or electrical shock.
- Do not place a heater or other appliances near the power cable.
 - There is risk of fire and electric shock.
- When flammable gas leaks, turn off the gas and open a window for ventilation before turn the product on.
 - Do not use the telephone or turn switches on or off. There is risk of explosion or fire
- If strange sounds, or small or smoke comes from product. Turn the breaker off or disconnect the power supply cable.
 - There is risk of electric shock or fire.
- Stop operation and close the window in storm or hurricane. If possible, remove the product from the window before the hurricane arrives.
 - There is risk of property damage, failure of product, or electric shock.
- Do not open the inlet grill of the product during operation.
(Do not touch the electrostatic filter, if the unit is so equipped.)
 - There is risk of physical injury, electric shock, or product failure.
- When the product is soaked (flooded or submerged), contact an Authorized Service Center.
 - There is risk of fire or electric shock.
- Be cautious that water could not enter the product.
 - There is risk of fire, electric shock, or product damage.
- Ventilate the product from time to time when operating it together with a stove, etc.
 - There is risk of fire or electric shock.
- Turn the main power off when cleaning or maintaining the product.
 - There is risk of electric shock.
- When the product is not be used for a long time, disconnect the power supply plug or turn off the breaker.
 - There is risk of product damage or failure, or unintended operation.

- Take care to ensure that nobody could step on or fall onto the outdoor unit.
 - This could result in personal injury and product damage.

 **CAUTION**

Installation

- Always check for gas (refrigerant) leakage after installation or repair of product.
 - Low refrigerant levels may cause failure of product.
- Install the drain hose to ensure that water is drained away properly.
 - A bad connection may cause water leakage.
- Keep level even when installing the product.
 - To avoid vibration or water leakage.
- Do not install the product where the noise or hot air from the outdoor unit could damage the neighborhoods.
 - It may cause a problem for your neighbors.
- Use two or more people to lift and transport the product.
 - Avoid personal injury.
- Do not install the product where it will be exposed to sea wind (salt spray) directly.
 - It may cause corrosion on the product. Corrosion, particularly on the condenser and evaporator fins, could cause product malfunction or inefficient operation.

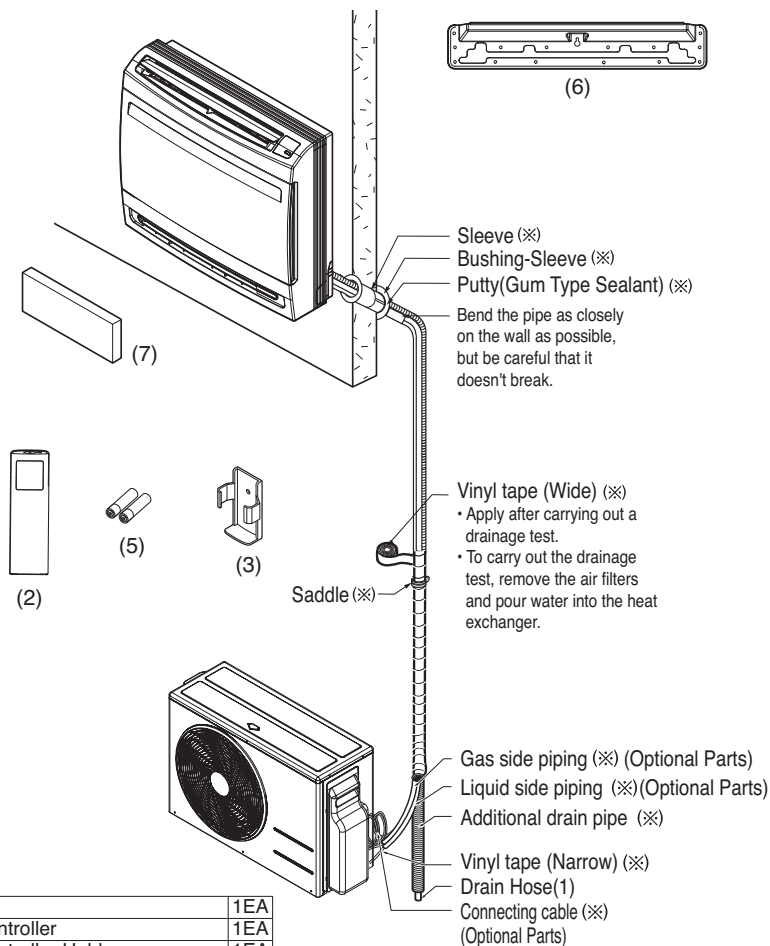
Operation

- Do not expose the skin directly to cool air for long periods of time. (Don't sit in the draft.)
 - This could harm to your health.
- Do not use the product for special purposes, such as preserving foods, works of art, etc. It is a consumer air conditioner, not a precision refrigeration system.
 - There is risk of damage or loss of property.
- Do not block the inlet or outlet of air flow.
 - It may cause product failure.
- Use a soft cloth to clean. Do not use harsh detergents, solvents, etc.
 - There is risk of fire, electric shock, or damage to the plastic parts of the product.
- Do not touch the metal parts of the product when removing the air filter. They are very sharp!
 - There is risk of personal injury.
- Do not step on or put anything on the product. (outdoor units)
 - There is risk of personal injury and failure of product.
- Always insert the filter securely. Clean the filter every two weeks or more often if necessary.
 - A dirty filter reduces the efficiency of the air conditioner and could cause product malfunction or damage.
- Do not insert hands or other objects through the air inlet or outlet while the product is operated.
 - There are sharp and moving parts that could cause personal injury.
- Do not drink the water drained from the product.
 - It is not sanitary and could cause serious health issues.

- Use a firm stool or ladder when cleaning or maintaining the product.
 - Be careful and avoid personal injury.
- Replace the all batteries in the remote control with new ones of the same type. Do not mix old and new batteries or different types of batteries.
 - There is risk of fire or explosion
- Do not recharge or disassemble the batteries. Do not dispose of batteries in a fire.
 - They may burn or explode.
- If the liquid from the batteries gets onto your skin or clothes, wash it well with clean water. Do not use the remote if the batteries have leaked.
 - The chemicals in batteries could cause burns or other health hazards.

Installation

Installation Map



ACCESSORIES

(1)	Drain Hose	1EA
(2)	Remote Controller	1EA
(3)	Remote Controller Holder	1EA
(4)	Fixing Screw for R.Controller Holder	2EA
(5)	Battery (AAA)	2EA
(6)	Install plate	1EA
(7)	Allergy Filter	1EA
(8)	Fixing Screw for Install Plate 4*25mm	5EA
(9)	Wood Screw for Indoor fixation	6EA

※ (4),(8),(9) → Screw

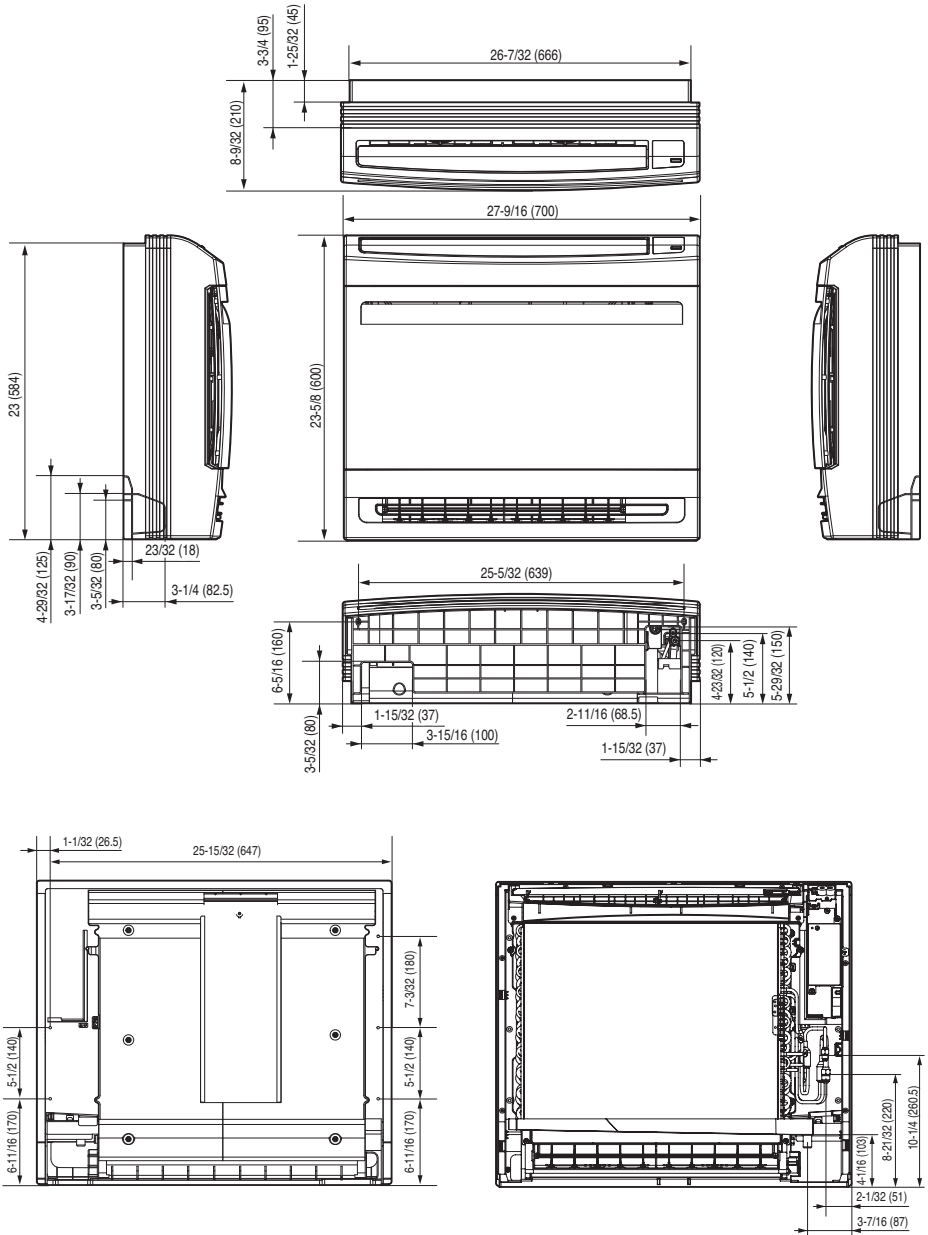
- The feature can be changed according to type of model.
(This feature is for single outdoor unit)

NOTICE

(※) You should purchase the installation parts.

Drawing of the indoor unit

AQNH**GALAD



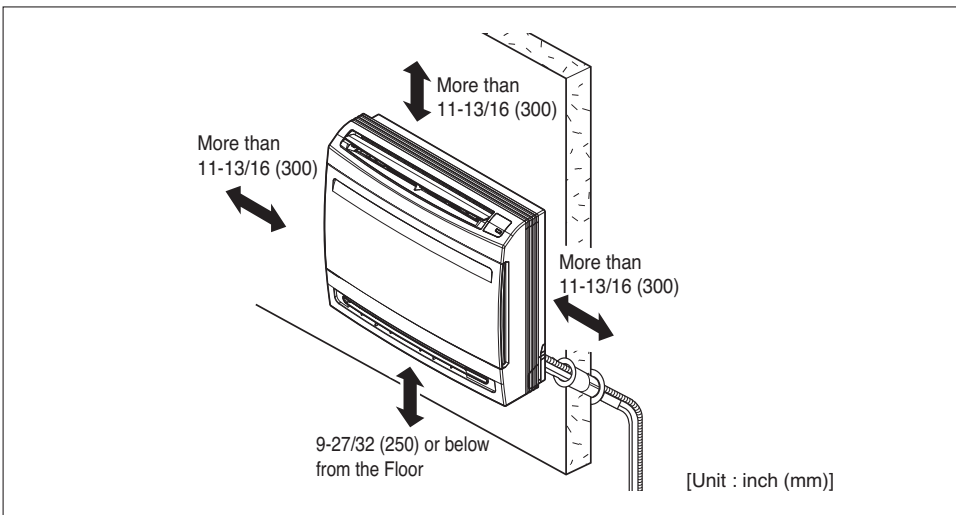
[Unit : inch (mm)]

Choosing an installation Site

1. There should not be any heat or steam near the unit.
2. Select a place where there are no obstacles around of the unit.
3. Make sure that condensation drainage can be conveniently routed away.
4. Do not install near a doorway.
5. Ensure that the interval between a wall and the left (or right) of the unit is more than 11-13/16" (300mm).
6. Use a metal detector to locate studs to prevent unnecessary damage to the wall.
7. Keep away from electronic ignition type fluorescent lamps as they may shorten the remote controller range.
8. Please check at least 3.3ft (1m) away from television or radio.(It cause interference with the picture or sound.)

NOTICE

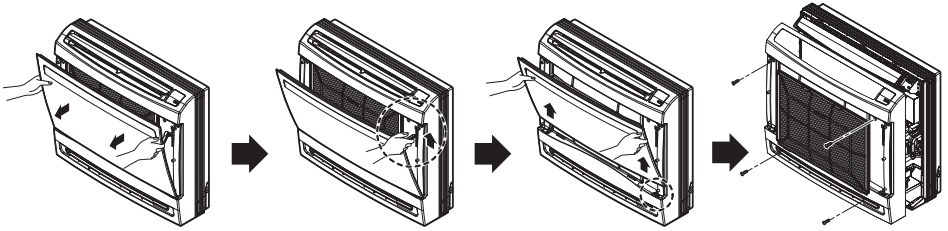
- Before choosing the installation site, please obtain user approval.
- If the unit is installed below a window,check the interference of window curtain.
[more than 11-13/16"(300mm)]



Indoor unit installation

4-1. Preparation / Removing front panel

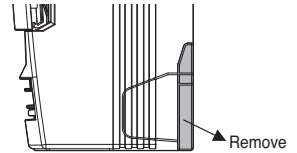
1. Open the front grille by pulling forward.
2. Then pull out the link of grille from groove in front panel.
3. Then pull out 2 hinges of grille from grooves in front panel.
4. Then remove 4 screws, dismount the front panel while pulling it forward.



4-2. Preparation / For Moldings , Side Piping, and Concealed Installation

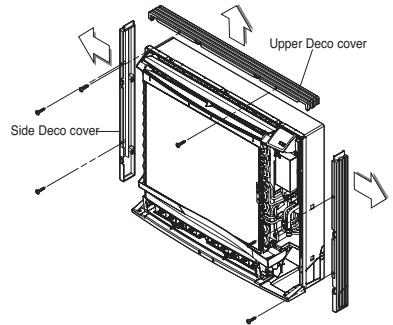
4-2-1 For Moldings

1. Remove the slit portions on the Rear Panel.



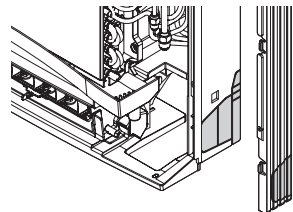
4-2-2 For Concealed Installation

1. Remove the 6 screws.
2. Remove the Upper Deco cover.
3. Remove the Side Deco covers.



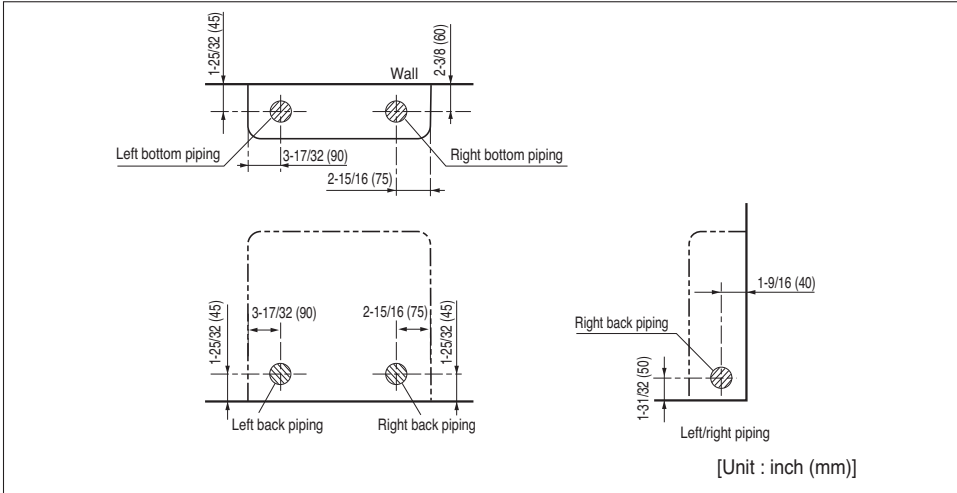
4-2-3 For Side Piping (Reference 4-2-2.)

1. Remove the Deco Covers.
2. Remove the slit portions.
3. Assemble the Deco Covers.



4-3.Refrigerant Piping

1. The location of hole is different depending on which side of the pipe is taken out.
2. Drill a hole $\varnothing 2\text{-}3/4"$ (70mm) in the point indicated by $\textcircled{\text{X}}$ symbol in the illustration as below.

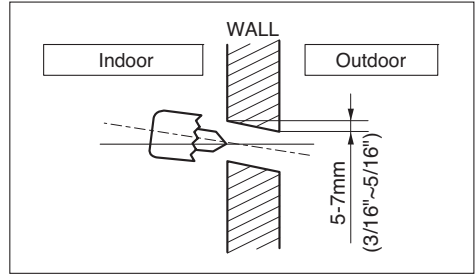


NOTICE

- The suggested shortest pipe length is 16.4ft (5m), in order to avoid noise from the outdoor unit and vibration.

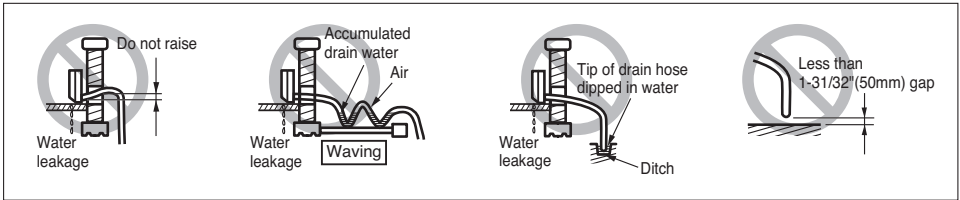
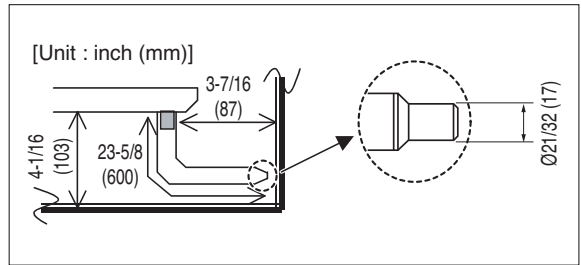
4-4. Drill a Hole in the wall

- Drill the piping hole with a $\text{Ø } 2\text{-}3/4\text{'}$ (70mm) hole core drill. Drill the piping hole at either the right or the left with the hole slightly slanted to the outdoor side.



4-5. Drain piping

1. The Outer diameter of Drain Hose (which is supplied with indoor unit) is $21/32\text{'}$ (17mm) at connecting end $23\text{-}5/8\text{'}$ (600mm) long.
2. Use commercial rigid PVC pipe for extension.
3. Insulate the indoor drain pipe with $13/32\text{'}$ (10mm) or more of insulation material to prevent condensation.



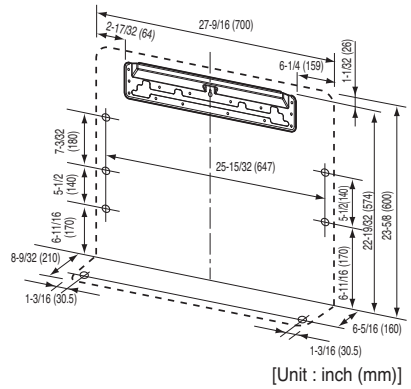
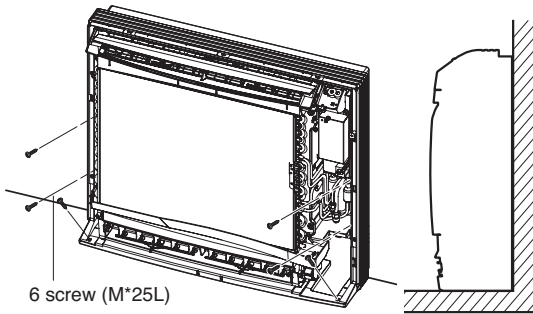
NOTICE

- The drain pipe should be inclined downward so that water will flow smoothly without any accumulation.

4-6. Installing Indoor unit

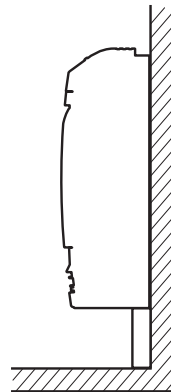
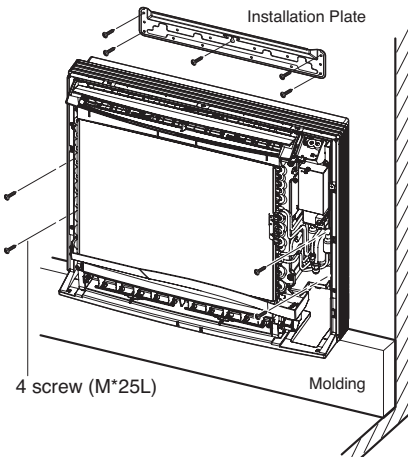
4-6-1 Installation on the Floor.

1. Fix up using 6 screws for floor installation.

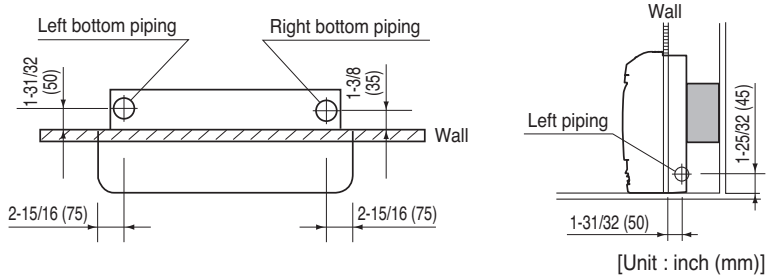


4-6-2 Installation on the Wall

1. Fix up the installation plate using 5 screws and the indoor unit using 4 screws.
2. The installation plate should be fixed on a wall which can support the weight of the indoor unit.

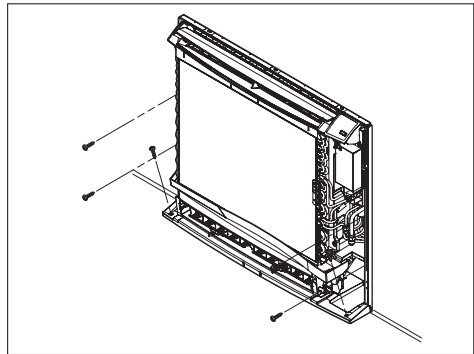


3.Piping Hole



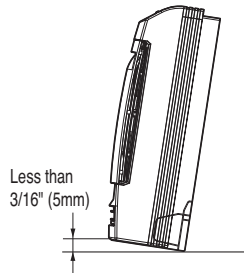
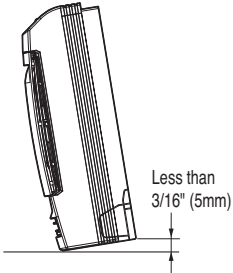
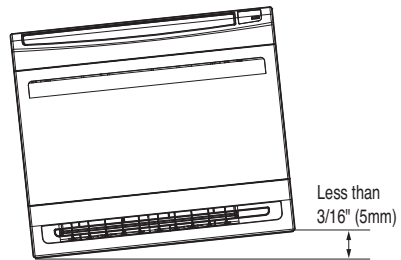
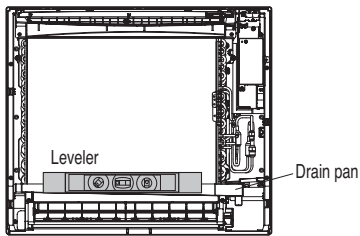
4. Remove the Deco Covers and Fixing Indoor Unit.

- 1) Remove the Deco Covers.(Reference 4-2-2.)
- 2) Insert the Indoor Unit to the Wall hole.
- 3) Secure using 6 screws. (shown in the illustration)



NOTICE

- Check the horizon of Indoor unit with the wall. Please use the Leveler on the drain pan guide.

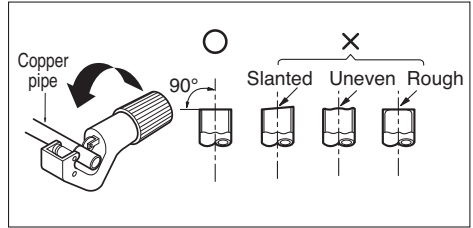


Flaring Work

Main cause for gas leakage is due to defect of flaring work. Carry out correct flaring work in the following procedure.

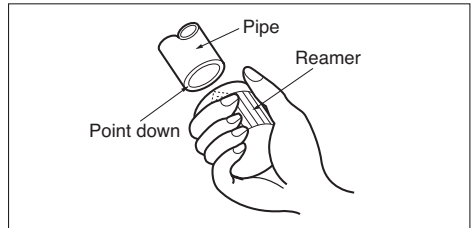
Cut the pipes and the cable.

1. Use the piping kit accessory or the pipes purchased locally.
2. Measure the distance between the indoor and the outdoor unit.
3. Cut the pipes a little longer than measured distance.
4. Cut the cable 4.9ft(1.5m) longer than the pipe length.



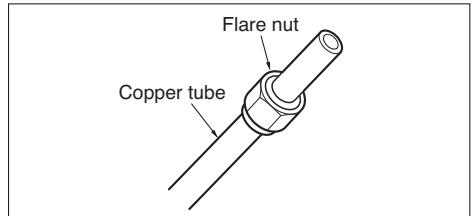
Burrs removal

1. Completely remove all burrs from the cut cross section of pipe/tube.
2. While removing burrs put the end of the copper tube/pipe in a downward direction while removing burrs location is also changed in order to avoid dropping burrs into the tubing.



Putting nut on

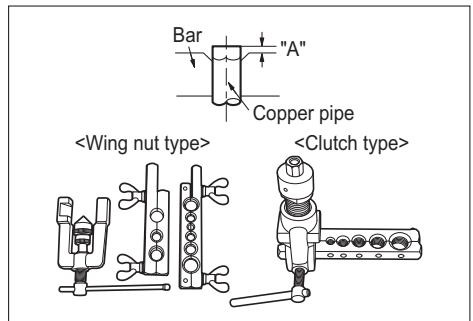
- Remove flare nuts attached to indoor and outdoor unit, then put them on pipe/tube having completed burr removal.
(not possible to put them on after finishing flare work)



Flaring work

1. Firmly hold copper pipe in a bar with the dimension shown in below table table below.
2. Carry out flaring work with the flaring tool.

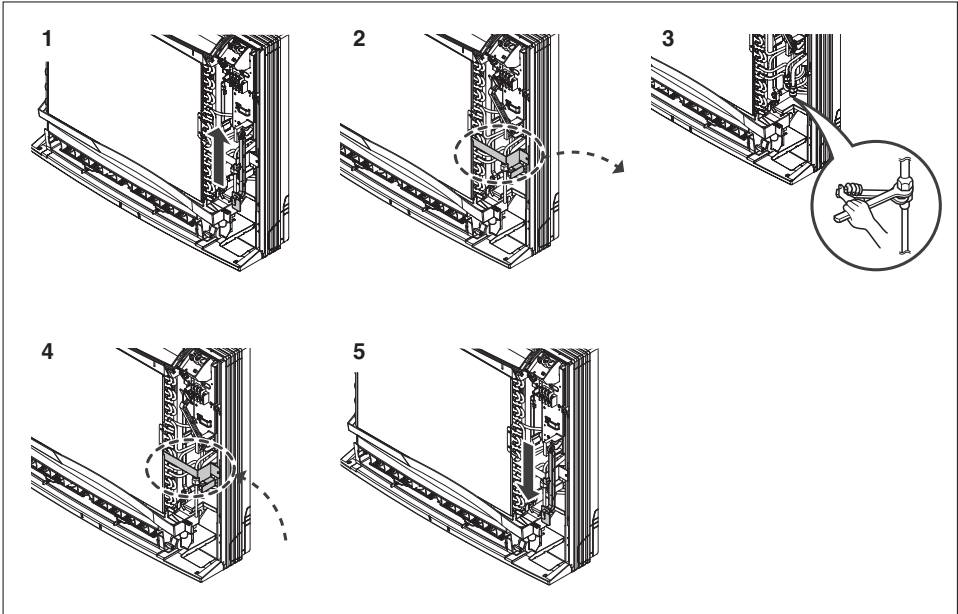
Pipe diameter Inch (mm)	A inch (mm)	
	Wing nut type	Clutch type
Ø 1/4 (Ø6.35)	0.04~0.05(1.1~1.3)	0~0.02 (0~0.5)
Ø 3/8 (Ø9.52)	0.06~0.07(1.5~1.7)	
Ø 1/2 (Ø12.7)	0.06~0.07(1.6~1.8)	
Ø 5/8 (Ø15.88)	0.06~0.07(1.6~1.8)	
Ø 3/4 (Ø19.05)	0.07~0.08(1.9~2.1)	



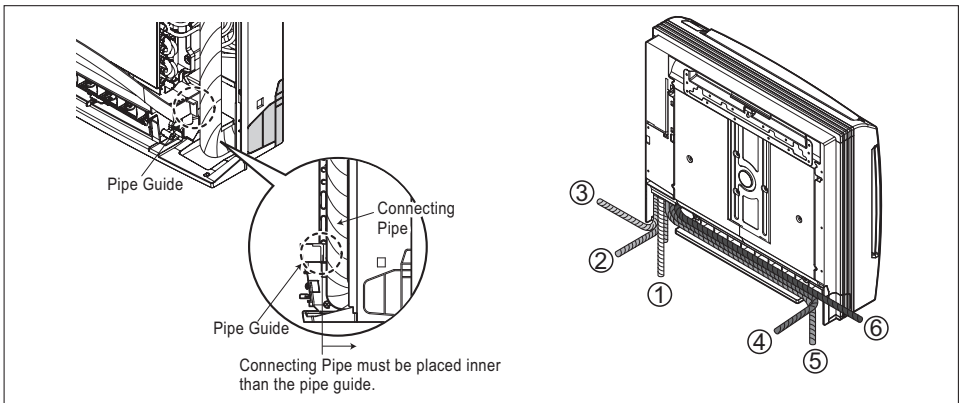
Connecting the Piping

When you connect the refrigerant pipe, it is easier that you connect the gas pipe first.

1. Hold up the Sensor Link.
2. Separate the Pipe Bracket (2 screws)
3. Connect the refrigerant pipe. (Refer to next page)
4. Assemble the Pipe Bracket (2 screws)
5. Put down the Sensor Link.



6. After connecting, check the pipe arrangement as per illustration.
7. The piping can be arranged in six ways as shown in the illustration below.



⚠ CAUTION

If the drain hose is routed inside the room insulate the hose with an insulation material* so that dripping from sweating (condensation) will not damage furniture or floors.

* Foamed polyethylene or equivalent is recommended.

Connecting the installation pipe and drain hose to the indoor unit.

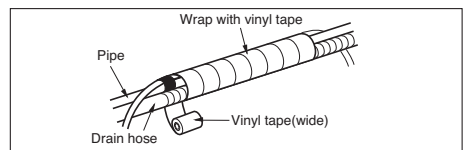
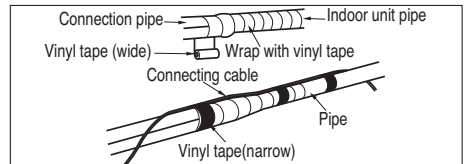
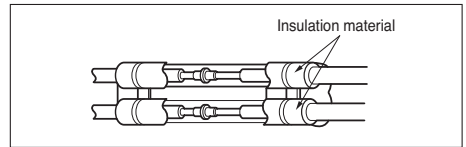
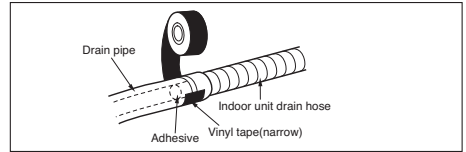
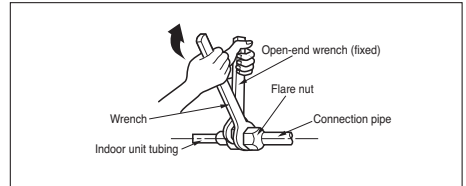
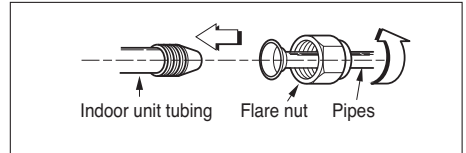
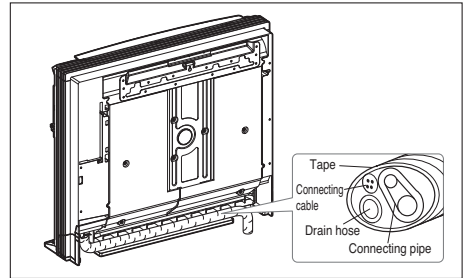
1. Align the center of the pipes and sufficiently tighten the flare nut by hand.
2. Tighten the flare nut with a wrench.

Outside diameter		Torque
mm	inch	
Ø6.35	1/4	1.8~2.5
Ø9.52	3/8	3.4~4.2
Ø12.7	1/2	5.5~6.5
Ø15.88	5/8	6.3~8.2
Ø19.05	3/4	9.9~12.1

3. When needed to extend the drain hose of indoor unit, assemble the drain pipe as shown on the drawing

Wrap the insulation material around the connecting portion.

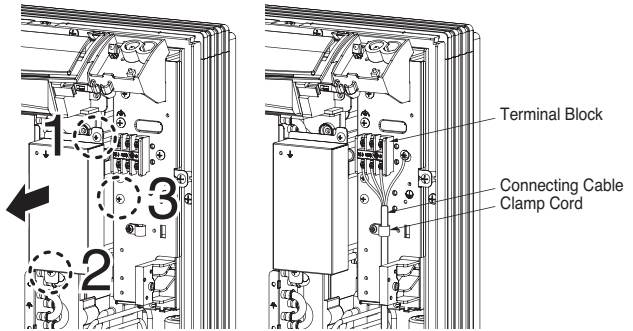
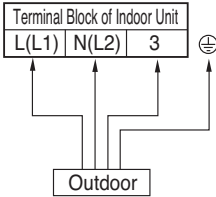
1. Overlap the connection pipe insulation material and the indoor unit pipe insulation material. Bind them together with vinyl tape so that there may be no gap.
2. Wrap the area which accommodates the rear piping housing section with vinyl tape.
3. Bundle the piping and drain hose together by wrapping them with vinyl tape sufficient enough to cover where they fit into the rear piping housing section.



Wiring Connection

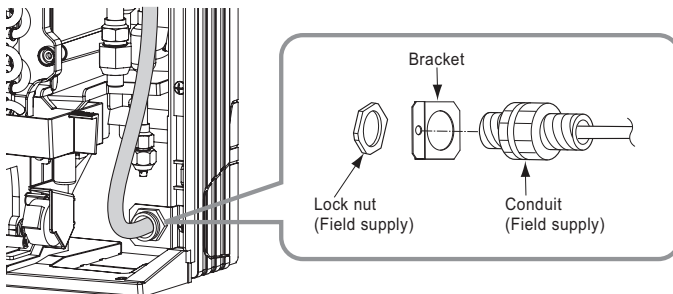
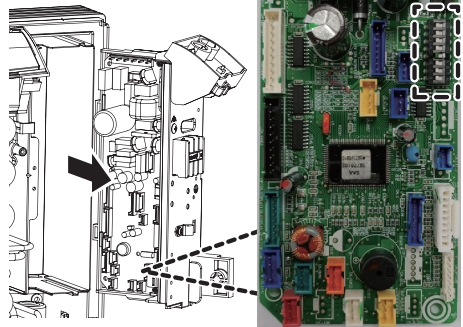
Wiring Connection

1. Loosen No 1,2 screws of control box cover.
2. Connect the cable to the Terminal block as below diagram.



3. Secure the cable onto the Control panel with the Clamp cord.
4. If indoor unit's setting is needed, loosen No.3 screw and lift up the PCB. (option: usage of bottom vanes, limit angle of top vane)

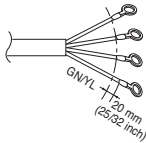
Dip S/W	Description	S/W OFF	S/W ON
S/W 5	Install scene	Exposed	Half Concealed
S/W 7	Vane	Top+Bottom vane	Top vane only



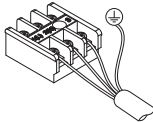
⚠ CAUTION

The power connecting cable between the outdoor and indoor units must comply with the following specifications: NRTL Recognized (for example, UL or ETL recognized and CSA certified).

AWG 18-4 is the minimum recommended wire size, however, the selected conductors must comply with local codes and be suitable for installation in wet locations.



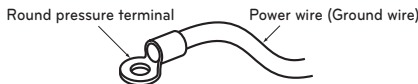
If the supply cord is damaged, it must be replaced by a special cord or assembly available from the manufacturer of its service agent. When the connection line between the indoor unit and outdoor unit and outdoor unit is over 40 m, connect the telecommunication line and power line separately.



Precautions when laying power and ground wiring

Use round pressure terminals for connections to the power terminal block.

When laying ground wiring, you must use round pressure terminals.



When none are available, follow the instructions below.

- Do not connect wiring of different thicknesses to the power terminal block. (Slack in the power wiring may cause abnormal heat.)
- When connecting wiring which is the same thickness, do as shown in the figure below.



- For wiring, use the designated power wire and connect firmly, then secure to prevent outside pressure being exerted on the terminal block.
- Use an appropriate screwdriver for tightening the terminal screws. A screwdriver with a small head will strip the head and make proper tightening impossible.
- Over-tightening the terminal screws may break them.

NOTICE

Use connection cable NRTL(UL, ETL, CAS...) listed and stranded copper(4) THHN conductors, sunlight (UV) resistant ROHS compliant PVC jacket 600 V direct burial listed, approved for wet conditions. Temperature rated for $-20\text{ }^{\circ}\text{C}(-4\text{ }^{\circ}\text{F})$ to $90\text{ }^{\circ}\text{C}(194\text{ }^{\circ}\text{F})$. And this cable should be enclosed in conduit.

⚠ WARNING

- Be sure to comply with local and national codes while running the wire from the indoor unit to the outdoor unit(size of wire and wiring method, etc).
- Every wire must be connected firmly.
- No wire should be allowed to touch refrigerant tubing, the compressor or any moving parts.
- The communication wirings of air conditioner should be separate and isolated from external device's electric wiring such as computers, elevator, radio & Television broadcasting facilities, as well as medical imaging offices.

⚠ WARNING

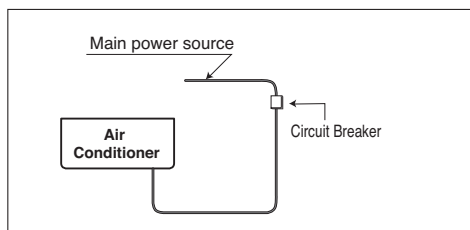
Loose wiring may cause the terminal to overheat or result in unit malfunction. A fire hazard may also exist. Therefore, be sure all wiring is tightly connected.

Electrical Wiring

1. All wiring must comply with LOCAL REGULATIONS.
2. Select a power source that is capable of supplying the current required by the air conditioner.
3. Feed the power source to the unit via a distribution switch board designed for this purpose.
4. The terminal screws inside the control box may be loose due to vibration during transport. Check the screws for loose connection.
(Running the air conditioner with loose connection can overload and damage electrical components.)
5. Always ground the air conditioner with a grounding wire and connector to meet the LOCAL REGULATION.

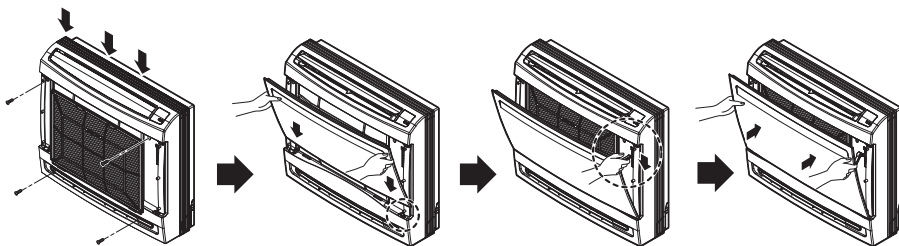
⚠ CAUTION

- The circuit diagram is not subject to change without notice.
- Be sure to connect wires according to the wiring diagram.
- Connect the wires firmly, so that not to be pulled out easily.
- Connect the wires according to color codes by referring the wiring diagram.



Installation of Front Panel

1. Fit the Front Panel onto the indoor unit and push the upper area that are marked with arrows.
2. Check the air sensor and install the 4 screws.
3. Then assemble the front grille and put the hinges.
4. Close the grille.

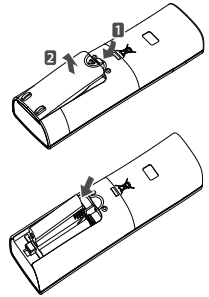


Test Running

1. Check that all tubing and wiring are properly connected.
2. Check that the gas and liquid side service valves are fully open.

Prepare remote controller

1. Remove the battery cover by pulling it according to the arrow direction.
2. Insert new batteries making sure that the (+) and (-) of battery are installed correctly.
3. Reattach the cover by sliding it back into position.

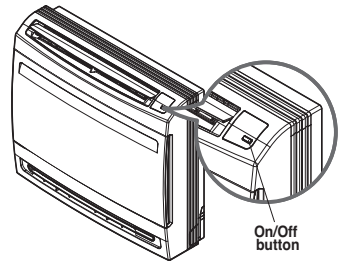


NOTICE

1. Always use/replace both batteries of same type.
2. If the system is not to be used for a long time, remove the batteries to save their working life.
3. If the display screen of remote controller starts, fading replace both of the batteries.
4. Use 2 AAA(1.5 volt) batteries.

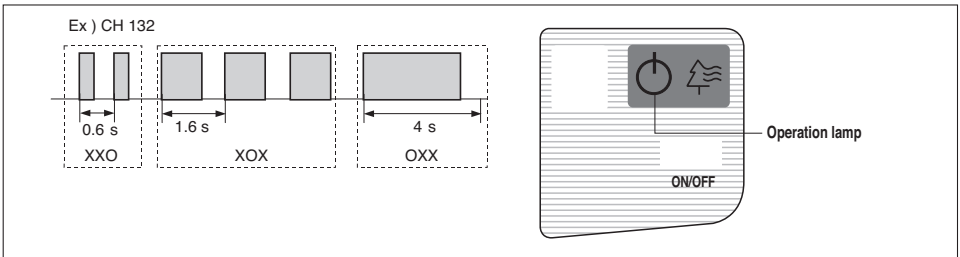
Test operation

During the TEST OPERATION, the unit operates in cooling mode at high speed fan, regardless of room temperature and resets in 18 minutes. During test operation, if remote controller signal is received, the unit operates as remote controller sets. If you want to use this operation, **Press and hold the ON/OFF button for 3~5 seconds**, then the buzzer sound 1 'beep'. If you want to stop the operation, re-press the button.



Self-Diagnosis Function

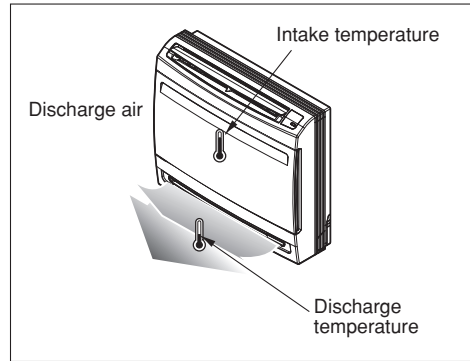
This unit has an inbuilt error diagnosis capability. Error is displayed by 'RED' Operation Lamp. Please contact your serviceman/dealer in such a situation.



Evaluation of the performance

Operate the unit for 10~15 minutes, then check the system refrigerant charge:

1. Measure the pressure of the gas side service valve.
 2. Measure the air temperature from inlet and outlet of air conditioner.
 3. Ensure the difference between the inlet and outlet temperature is more than 46.4°F (8°C).
 4. For reference; the gas side pressure at optimum condition is shown on table (cooling)
- The air conditioner is now ready to use.



Refrigerant	Outside ambient TEMP.	The pressure of the gas side
R-410A	95°F (35°C)	8.5~9.5kg/cm ² G(120~135 P.S.I.G.)

NOTICE

If the actual pressure is higher than shown, the system is most likely over-charged, and charge should be removed. If the actual pressure are lower than shown, the system is most likely under-charged, and charge should be added.

WARRANTY (USA)

ARBITRATION NOTICE: THIS LIMITED WARRANTY CONTAINS AN ARBITRATION PROVISION THAT REQUIRES YOU AND LG TO RESOLVE DISPUTES BY BINDING ARBITRATION INSTEAD OF IN COURT, UNLESS YOU CHOOSE TO OPT OUT. IN ARBITRATION, CLASS ACTIONS AND JURY TRIALS ARE NOT PERMITTED. PLEASE SEE THE SECTION TITLED "PROCEDURE FOR RESOLVING DISPUTES" BELOW.

PROCEDURE FOR RESOLVING DISPUTES:

ALL DISPUTES BETWEEN YOU AND LG ARISING OUT OF OR RELATING IN ANY WAY TO THIS LIMITED WARRANTY OR THE PRODUCT SHALL BE RESOLVED EXCLUSIVELY THROUGH BINDING ARBITRATION, AND NOT IN A COURT OF GENERAL JURISDICTION. BINDING ARBITRATION MEANS THAT YOU AND LG ARE EACH WAIVING THE RIGHT TO A JURY TRIAL AND TO BRING OR PARTICIPATE IN A CLASS ACTION.

Definitions. For the purposes of this section, references to "LG" mean LG Electronics U.S.A., Inc., its parents, subsidiaries and affiliates, and each of their officers, directors, employees, agents, beneficiaries, predecessors in interest, successors, assigns and suppliers; references to "dispute" or "claim" shall include any dispute, claim or controversy of any kind whatsoever (whether based in contract, tort, statute, regulation, ordinance, fraud, misrepresentation or any other legal or equitable theory) arising out of or relating in any way to the sale, condition or performance of the product or this Limited Warranty.

Notice of Dispute. In the event you intend to commence an arbitration proceeding, you must first notify LG in writing at least 30 days in advance of initiating the arbitration by sending a letter to LG at LG Electronics, USA, Inc. Attn: Legal Department- Arbitration 1000 Sylvan Ave, Englewood Cliffs 07632. You and LG agree to engage in good faith discussions in an attempt to amicably resolve your claim. The notice must provide your name, address, and telephone number; identify the product that is the subject of the claim; and describe the nature of the claim and the relief being sought. If you and LG are unable to resolve the dispute within 30 days, either party may proceed to file a claim for arbitration.

Agreement to Binding Arbitration and Class Action Waiver. Upon failure to resolve the dispute during the 30 day period after sending written notice to LG, you and LG agree to resolve any claims between us only by binding arbitration on an individual basis, unless you opt out as provided below. Any dispute between you and LG shall not be combined or consolidated with a dispute involving any other person's or entity's product or claim. More specifically, without limitation of the foregoing, any dispute between you and LG shall not under any circumstances proceed as part of a class or representative action. Instead of arbitration, either party may bring an individual action in small claims court, but that small claims court action may not be brought on a class or representative basis.

Arbitration Rules and Procedures. To begin arbitration of a claim, either you or LG must make a written demand for arbitration. The arbitration will be administered by the American Arbitration Association ("AAA") and will be conducted before a single arbitrator under the AAA's Consumer Arbitration Rules that are in effect at the time the arbitration is initiated (referred to as the "AAA Rules") and under the procedures set forth in this section. The AAA Rules are available online at www.adr.org/consumer. Send a copy of your written demand for arbitration, as well as a copy of this provision, to the AAA in the manner described in the AAA Rules. You must also send a copy of your written demand to LG at LG Electronics, USA, Inc. Attn: Legal Department- Arbitration 1 000 Sylvan Avenue Englewood Cliffs, NJ 07632.

If there is a conflict between the AAA Rules and the rules set forth in this section, the rules set forth in this section will govern. This arbitration provision is governed by the Federal Arbitration Act. Judgment may be entered on the arbitrator's award in any court of competent jurisdiction. All issues are for the arbitrator to decide, except that issues relating to the scope and enforceability of the arbitration provision and to the arbitrability of the dispute are for the court to decide. The arbitrator is bound by the terms of this provision.

Governing Law. The law of the state of your residence shall govern this Limited Warranty and any disputes between us except to the extent that such law is preempted by or inconsistent with applicable federal law.

Fees/Costs. You do not need to pay any fee to begin an arbitration. Upon receipt of your written demand for arbitration, LG will promptly pay all arbitration filing fees to the AAA unless you seek more than \$25,000 in damages, in which case the payment of these fees will be governed by the AAA Rules. Except as otherwise provided for herein, LG will pay all AAA filing, administration and arbitrator fees for any arbitration initiated in accordance with the AAA Rules and this arbitration provision. If you prevail in the arbitration, LG will pay your attorneys' fees and expenses as long as they are reasonable, by considering factors including, but not limited to, the purchase amount and claim amount. Notwithstanding the foregoing, if applicable law allows for an award of reasonable attorneys' fees and expenses, an arbitrator can award them to the same extent that a court would. If the arbitrator finds either the substance of your claim or the relief sought in the demand is frivolous or brought for an improper purpose (as measured by the standards set forth in Federal Rule of Civil Procedure 11(b)), then the payment of all arbitration fees will be governed by the AAA Rules. In such a situation, you agree to reimburse LG for all monies previously disbursed by it that are otherwise your obligation to pay under the AAA Rules. Except as otherwise provided for, LG waives any rights it may have to seek attorneys' fees and expenses from you if LG prevails in the arbitration.

Hearings and Location. If your claim is for \$25 000 or less, you may choose to have the arbitration conducted solely on the basis of (1) documents submitted to the arbitrator, (2) through a telephonic hearing, or (3) by an in-person hearing as established by the AAA Rules. If your claim exceeds \$25 000, the right to a hearing will be determined by the AAA Rules. Any in-person arbitration hearings will be held at a location within the federal judicial district in which you reside unless we both agree to another location or we agree to a telephonic arbitration.

Opt Out. You may opt out of this dispute resolution procedure. If you opt out, neither you nor LG can require the other to participate in an arbitration proceeding. To opt out, you must send notice to LG no later than 30 calendar days from the date of the first consumer purchaser's purchase of the product by either: (i) sending an e-mail to optout@lge.com, with the subject line: "Arbitration Opt Out" or (ii) calling 1-800-980-2973. You must include in the opt out e-mail or provide by telephone: (a) your name and address; (b) the date on which the product was purchased; (c) the product model name or model number; and (d) the serial number (the serial number can be found (i) on the product; or (ii) online by accessing <https://www.lg.com/us/support/repair-service/schedule-repair-continued> and clicking on "Find My Model & Serial Number").

You may only opt out of the dispute resolution procedure in the manner described above (that is, by e-mail or telephone); no other form of notice will be effective to opt out of this dispute resolution procedure. Opting out of this dispute resolution procedure will not affect the coverage of the Limited Warranty in any way, and you will continue to enjoy the full benefits of the Limited Warranty. If you keep this product and do not opt out, then you accept all terms and conditions of the arbitration provision described above.

WARRANTY (CANADA)

ARBITRATION NOTICE: THIS LIMITED WARRANTY CONTAINS AN ARBITRATION PROVISION THAT REQUIRES YOU AND LG TO RESOLVE DISPUTES BY BINDING ARBITRATION INSTEAD OF IN COURT, UNLESS THE LAWS OF YOUR PROVINCE OR TERRITORY DO NOT PERMIT THAT, OR, IN OTHER JURISDICTIONS, IF YOU CHOOSE TO OPT OUT. IN ARBITRATION, CLASS ACTIONS AND JURY TRIALS ARE NOT PERMITTED. PLEASE SEE THE SECTION TITLED "PROCEDURE FOR RESOLVING DISPUTES" BELOW.

PROCEDURE FOR RESOLVING DISPUTES:

EXCEPT WHERE PROHIBITED AT LAW, ALL DISPUTES BETWEEN YOU AND LG ARISING OUT OF OR RELATING IN ANY WAY TO THIS LIMITED WARRANTY OR THE PRODUCT SHALL BE RESOLVED EXCLUSIVELY THROUGH BINDING ARBITRATION, AND NOT IN A COURT OF GENERAL JURISDICTION. EXCEPT WHERE PROHIBITED AT LAW, YOU AND LG BOTH IRREVOCABLY AGREE TO WAIVE THE RIGHT TO A JURY TRIAL AND TO BRING OR PARTICIPATE IN A CLASS ACTION.

Definitions. For the purposes of this section, references to "LG" mean LG Electronics Canada, Inc., its parents, subsidiaries and affiliates, and each of their officers, directors, employees, agents, beneficiaries, predecessors in interest, successors, assigns and suppliers; references to "dispute" or "claim" shall include any dispute, claim or controversy of any kind whatsoever (whether based in contract, tort, statute, regulation, ordinance, fraud, misrepresentation or any other legal or equitable theory) arising out of or relating in any way to the sale, condition or performance of the product or this Limited Warranty.

Notice of Dispute. In the event you intend to commence an arbitration proceeding, you must first notify LG in writing at least 30 days in advance of initiating the arbitration by sending a letter to LGECI Legal Team at 20 Norelco Drive, North York, Ontario, Canada M9L 2X6 (the "Notice of Dispute"). You and LG agree to engage in good faith discussions in an attempt to amicably resolve your claim. The notice must provide your name, address, and telephone number; identify the product that is the subject of the claim; and describe the nature of the claim and the relief being sought. If you and LG are unable to resolve the dispute within 30 days of LG's receipt of the Notice of Dispute, the dispute shall be resolved by binding arbitration in accordance with the procedure set out herein. You and LG both agree that, during the arbitration proceeding, the terms (including any amount) of any settlement offer made by either you or LG will not be disclosed to the arbitrator until the arbitrator determines the dispute.

Agreement to Binding Arbitration and Class Action Waiver. Upon failure to resolve the dispute during the 30 day period after LG's receipt of the Notice of Dispute, you and LG agree to resolve any claims between you and LG only by binding arbitration on an individual basis, unless you opt out as provided below, or you reside in a jurisdiction that prevents full application of this clause in the circumstances of the claims at issue (in which case if you are a consumer, this clause will only apply if you expressly agree to the arbitration). To the extent permitted by applicable law, any dispute between you and LG shall not be combined or consolidated with a dispute involving any other person's or entity's product or claim. More specifically, without limitation of the foregoing, except to the extent such a prohibition is not permitted at law, any dispute between you and LG shall not under any circumstances proceed as part of a class or representative action. Instead of arbitration, either party may bring an individual action in small claims court, but that small claims court action may not be brought on a class or representative basis except to the extent this prohibition is not permitted at law in your province or territory of jurisdiction as it relates to the claims at issue between you and LG.

Arbitration Rules and Procedures. To begin arbitration of a claim, either you or LG must make a written demand for arbitration. The arbitration will be private and confidential, and conducted on a simplified and expedited basis before a single arbitrator chosen by the parties under the provincial or territorial commercial arbitration law and rules of the province or territory of your residence. You must also send a copy of your written demand to LG at LG Electronics, Canada, Inc., Attn: Legal Department- Arbitration, 20 Norelco Drive, North York, Ontario M9L 2X6. This arbitration provision is governed by your applicable provincial or territorial commercial arbitration legislation. Judgment may be entered on the arbitrator's award in any court of competent jurisdiction. All issues are for the arbitrator to decide, except that, issues relating to the scope and enforceability of the arbitration provision and to the arbitrability of the dispute are for the court to decide. The arbitrator is bound by the terms of this provision.

Governing Law. The law of the province or territory of your purchase shall govern this Limited Warranty and any disputes between you and LG except to the extent that such law is preempted by or inconsistent with applicable federal or provincial/territorial law. Should arbitration not be permitted for any claim, action, dispute or controversy between you and LG, you and LG attorn to the exclusive jurisdiction of the courts of the province or territory of your purchase for the resolution of the claim, action, dispute or controversy between you and LG.

Fees/Costs. You do not need to pay any fee to begin an arbitration. Upon receipt of your written demand for arbitration, LG will promptly pay all arbitration filing fees unless you seek more than \$25 000 in damages, in which case the payment of these fees will be governed by the applicable arbitration rules. Except as otherwise provided for herein, LG will pay all filing, administration and arbitrator fees for any arbitration initiated in accordance with the applicable arbitration rules and this arbitration provision. If you prevail in the arbitration, LG will pay your attorneys' fees and expenses as long as they are reasonable, by considering factors including, but not limited to, the purchase amount and claim amount. Notwithstanding the foregoing, if applicable law allows for an award of reasonable attorneys' fees and expenses, an arbitrator can award them to the same extent that a court would. If the arbitrator finds either the substance of your claim or the relief sought in the demand is frivolous or brought for an improper purpose (as measured by the applicable laws), then the payment of all arbitration fees will be governed by the applicable arbitration rules. In such a situation, you agree to reimburse LG for all monies previously disbursed by it that are otherwise your obligation to pay under the applicable arbitration rules. Except as otherwise provided for, LG waives any rights it may have to seek attorneys' fees and expenses from you if LG prevails in the arbitration.

Hearings and Location. If your claim is for \$25 000 or less, you may choose to have the arbitration conducted solely (1) on the basis of documents submitted to the arbitrator, (2) through a telephonic hearing, or (3) by an in-person hearing as established by the applicable arbitration rules. If your claim exceeds \$25 000, the right to a hearing will be determined by the applicable arbitration rules. Any in-person arbitration hearings will be held at the nearest, most mutually-convenient arbitration location available within the province or territory in which you reside unless you and LG both agree to another location or agree to a telephonic arbitration.

Severability and Waiver. If any portion of this Limited Warranty (including these arbitration procedures) is unenforceable, the remaining provisions will continue in full force and effect to the maximum extent permitted by applicable law. Should LG fail to enforce strict performance of any provision of this Limited Warranty (including these arbitration procedures), it does not mean that LG intends to waive or has waived any provision or part of this Limited Warranty.

Opt Out. You may opt out of this dispute resolution procedure. If you opt out, neither you nor LG can require the other to participate in an arbitration proceeding. To opt out, you must send notice to LG no later than 30 calendar days from the date of the first consumer purchaser's purchase of the product by either (i) sending an e-mail to optout@lge.com, with the subject line:

WARRANTY (CANADA)

“Arbitration Opt Out;” or (ii) calling 1-800-980-2973. You must include in the opt out e-mail or provide by telephone: (a) your name and address; (b) the date on which the product was purchased; (c) the product model name or model number; and (d) the serial number (the serial number can be found (i) on the product; or (ii) online by accessing https://www.lg.com/ca_en/support/repair-service/schedule-repair and clicking on “Find My Model & Serial Number”).

In the event that you “Opt Out”, the law of the province or territory of your residence shall govern this Limited Warranty and any disputes between you and LG except to the extent that such law is preempted by or inconsistent with applicable federal or provincial/territorial law. Should arbitration not be permitted for any claim, action, dispute or controversy between you and LG, you and LG agree to attorn to the exclusive jurisdiction of the courts of the province or territory of your residence for the resolution of the claim, action, dispute or controversy between you and LG.

You may only opt out of the dispute resolution procedure in the manner described above (that is, by e-mail or telephone); no other form of notice will be effective to opt out of this dispute resolution procedure. Opting out of this dispute resolution procedure will not affect the coverage of the Limited Warranty in any way, and you will continue to enjoy the full benefits of the Limited Warranty. If you keep this product and do not opt out, then you accept all terms and conditions of the arbitration provision described above.

Conflict of Terms. In the event of a conflict or inconsistency between the terms of this Limited Warranty and the End User License Agreement (“EULA”) in regards to dispute resolution, the terms of this Limited Warranty shall control and govern the rights and obligations of the parties and shall take precedence over the EULA.

MANUEL D'INSTALLATION CLIMATISEUR

Veillez lire ce manuel dans son intégralité avant d'installer le climatiseur.
L'installation doit être effectuée conformément aux normes électriques nationales par un personnel agréé uniquement.
Après avoir lu ce manuel attentivement, conservez-le pour pouvoir vous y reporter ultérieurement.

Type : A poser sur le sol (console)

TABLE DES MATIÈRES

3 CONSIGNES DE SÉCURITÉ

7 INSTALLATION

- 7 Schéma d'installation
- 8 Schéma de l'unité intérieure
- 9 Choix d'un site d'installation
- 10 Installation de l'unité intérieure.
- 16 Travail d'évasement
- 17 Raccordement de la tuyauterie


19 CONNEXIONS ÉLECTRIQUES

- 19 Connexions électriques
- 21 Câblage électrique
- 21 Installation de la façade
- 22 Test de fonctionnement

24 GARANTIE (CANADA)

Consignes de sécurité

Les consignes de sécurité suivantes visent à prévenir tout risque ou dommage imprévu découlant d'une utilisation dangereuse ou incorrecte de l'appareil. Les consignes sont réparties selon les catégories (« AVERTISSEMENT » et « ATTENTION ») décrites ci-dessous.

 Ce symbole est utilisé pour indiquer les éléments et les actions susceptibles de causer des risques. Veuillez à lire attentivement les sections avec ce signe et suivez les instructions afin d'éviter des risques.

AVERTISSEMENT

Ce signe indique que le non-respect des consignes peut provoquer des blessures graves ou la mort.

MISE EN GARDE

Ceci indique que le non-respect des instructions peut causer de légères blessures ou endommager l'appareil.

AVERTISSEMENT

Installation

- Évitez d'utiliser un disjoncteur défectueux ou de capacité insuffisante. Utilisez cet appareil sur un circuit dédié.
 - Cela pourrait provoquer un incendie ou une électrocution.
- Pour toute réparation, contactez le distributeur, le revendeur, un électricien qualifié ou un centre de réparation agréé.
 - Ne tentez pas de démonter ou de réparer vous-même l'appareil. Cela pourrait provoquer un incendie ou une électrocution.
- Raccordez systématiquement l'appareil à la terre.
 - Cela pourrait provoquer un incendie ou une électrocution.
- Installez le boîtier du coffret électrique et fixez soigneusement le capot.
 - Cela pourrait provoquer un incendie ou une électrocution.
- Installez dans tous les cas un circuit dédié et un disjoncteur.
 - Tout câblage ou installation non conforme peut provoquer un incendie ou une électrocution.
- Utilisez un disjoncteur ou un fusible de puissance adéquate.
 - Sinon, cela pourrait provoquer un incendie ou une électrocution.
- Ne modifiez pas le câble d'alimentation et n'utilisez pas de rallonge.
 - Cela pourrait provoquer un incendie ou une électrocution.
- N'installez pas l'unité et ne la déplacez pas ou ne la réinstallez pas vous-même.
 - Cela pourrait provoquer un incendie, une électrocution, une explosion ou entraîner des blessures.
- Déballiez et installez le produit avec prudence.
 - Il comporte des arêtes vives présentant un risque de coupure. Soyez très prudent, en particulier avec les rebords et les ailettes du condensateur et de l'évaporateur.

- Pour effectuer l'installation, contactez le distributeur ou un centre de réparation agréé.
 - Cela pourrait provoquer un incendie, une électrocution, une explosion ou entraîner des blessures.
- N'installez pas l'appareil sur un support défectueux.
 - Vous risquez sinon de vous blesser, de provoquer un accident ou d'endommager l'appareil.
- Assurez-vous que l'emplacement où l'appareil est installé ne risque pas de se détériorer au fil du temps.
 - Si le support s'effondre, le climatiseur risque de provoquer des dégâts matériels, de tomber en panne, voire de causer des blessures corporelles.
- Utilisez une pompe à vide ou un gaz Inerte (azote) lorsque vous faites des essais de fuite ou la purge d'air. Ne compressez pas l'air ou l'oxygène et n'utilisez pas de gaz inflammable.
- Cela pourrait provoquer un incendie ou une explosion.
 - Risque de décès, de blessure, d'incendie ou d'explosion.

Fonctionnement

- Ne laissez pas le climatiseur en marche pendant une période trop longue lorsque le taux d'humidité est très élevé et qu'une porte ou une fenêtre est restée ouverte.
 - L'humidité risque alors de se condenser et de pénétrer dans les appareils ou de les endommager.
- Veillez à ce qu'il soit impossible de tirer sur le câble d'alimentation ou de l'endommager lorsque l'appareil fonctionne.
 - Cela pourrait provoquer un incendie ou une électrocution.
- Ne placez AUCUN objet sur le câble d'alimentation.
 - Cela pourrait provoquer un incendie ou une électrocution.
- Ne branchez pas ou ne débranchez pas l'appareil lorsqu'il fonctionne.
 - Cela pourrait provoquer un incendie ou une électrocution.
- Si vos mains sont mouillées, ne touchez pas l'appareil et ne le faites pas fonctionner.
 - Cela pourrait provoquer un incendie ou une électrocution.
- Ne placez pas un radiateur ou d'autres appareils de chauffage à proximité du câble d'alimentation.
 - Cela pourrait provoquer un incendie ou une électrocution.
- Ne laissez pas de l'eau pénétrer dans les composants électriques.
 - Cela pourrait provoquer un incendie, un dysfonctionnement de l'appareil ou une électrocution.
- N'entreposez pas et n'utilisez pas de gaz inflammable ou de combustible à proximité de l'appareil.
 - Cela pourrait provoquer un incendie ou une panne de l'appareil.
- N'utilisez pas l'appareil dans un espace hermétiquement clos pendant une longue période.
 - Cela pourrait provoquer un manque d'oxygène.
- En cas de fuite d'un gaz inflammable, fermez l'arrivée de gaz et ouvrez une fenêtre afin d'aérer la pièce avant de mettre en marche l'appareil.
 - N'utilisez pas le téléphone et n'actionnez aucun interrupteur de mise en marche/arrêt. Cela pourrait provoquer une explosion ou un incendie.
- En cas de bruit anormal, d'odeur ou de fumée, coupez immédiatement le disjoncteur ou débranchez le câble d'alimentation.
 - Il existe un risque d'incendie ou d'électrocution.
- Éteignez l'appareil et fermez la fenêtre en cas de tempête ou d'ouragan. Dans la mesure du possible, éloignez l'appareil de la fenêtre avant l'arrivée de l'ouragan.
 - Il existe un risque d'incendie, de dysfonctionnement de l'appareil ou d'électrocution.

- N'ouvrez pas la grille frontale lorsque l'appareil est en marche. (Ne touchez pas le filtre électrostatique, si l'unité en est équipée).
 - Cela pourrait provoquer des blessures corporelles, un dysfonctionnement de l'appareil ou une électrocution.
- Si de l'eau pénètre dans l'appareil, contactez un service après-vente agréé.
 - Il existe un risque d'incendie ou d'électrocution.
- Veillez à ce que de l'eau ne puisse pas pénétrer dans l'appareil.
 - Cela pourrait provoquer un incendie, une électrocution ou un dysfonctionnement de l'appareil.
- Aérez régulièrement la pièce où se trouve l'appareil lorsque celui-ci est utilisé simultanément avec un appareil de chauffage, etc.
 - Sinon, vous risquez de provoquer un incendie ou une électrocution.
- Coupez l'alimentation lors de toute opération de nettoyage ou de maintenance de l'appareil.
 - Sinon, vous risquez de vous électrocuter.
- Si l'appareil reste inutilisé pendant un long moment, coupez l'alimentation ou le disjoncteur.
 - Sinon, vous risquez d'endommager l'appareil, de provoquer une panne ou d'entraîner un dysfonctionnement.
- Veillez à ce que personne ne puisse trébucher ou tomber sur l'unité extérieure.
 - Cela pourrait provoquer des blessures corporelles ou endommager l'appareil.



MISE EN GARDE

Installation

- Vérifiez systématiquement la présence éventuelle d'une fuite de fluide frigorigène après l'installation ou après une réparation de l'appareil.
 - Si le niveau de fluide frigorigène est insuffisant, l'appareil risque de tomber en panne.
- Installez le flexible pour assurer une bonne évacuation de l'eau.
 - Un mauvais raccordement peut provoquer une fuite d'eau.
- L'appareil doit être installé de niveau.
 - Vous éviterez les risques de vibration ou de fuite d'eau.
- N'installez pas l'appareil à un endroit où le bruit ou l'air chaud émanant de l'unité extérieure risque de constituer une nuisance pour le voisinage.
 - Dans le cas contraire, votre installation pourrait gêner vos voisins.
- Faites appel à au moins deux personnes pour soulever et transporter l'appareil.
 - Attention à ne pas vous blesser.
- N'exposez pas l'appareil directement à l'action du vent marin (vent salé).
 - Vous éviterez ainsi tout risque de corrosion. La corrosion, notamment sur les ailettes du condenseur et de l'évaporateur, peut entraîner un dysfonctionnement ou ralentir les performances de l'appareil.

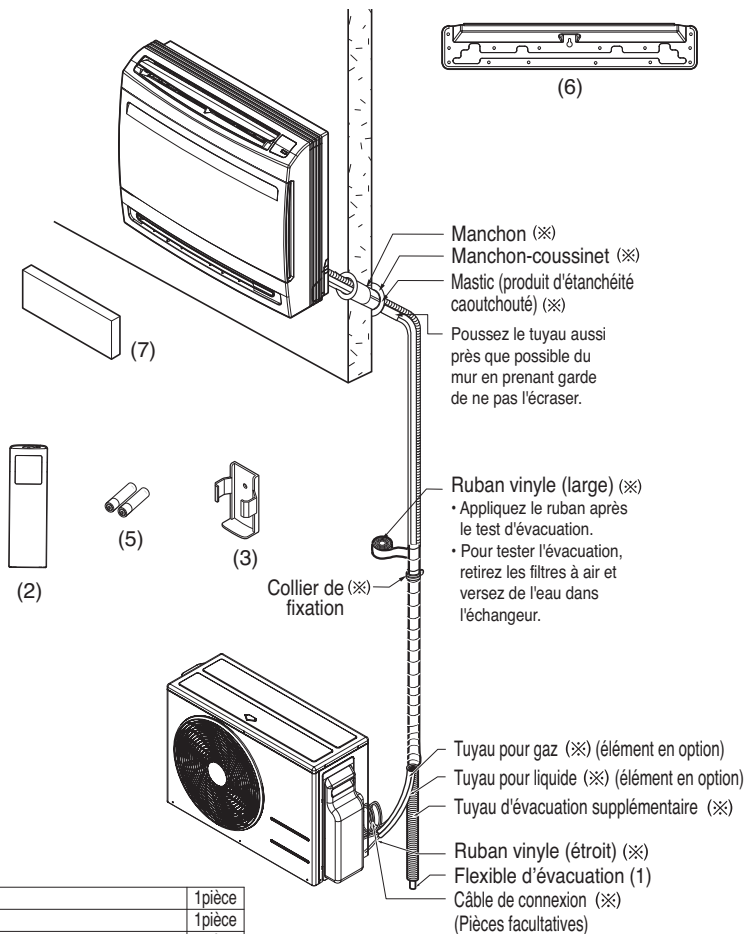
Fonctionnement

- Ne vous exposez pas directement au courant d'air froid de manière prolongée. (Évitez de rester dans le courant d'air.)
 - Sinon, vous mettez en danger votre santé.

- N'utilisez pas l'appareil à des fins particulières comme la conservation d'aliments, d'œuvres d'art, etc. Cet appareil est un climatiseur grand public, pas un système frigorifique de précision.
 - Sinon, vous risquez d'endommager ou d'altérer les propriétés de votre appareil.
- N'obstruez pas l'entrée et la sortie du flux d'air.
 - Cela pourrait endommager l'appareil.
- Utilisez un chiffon doux pour nettoyer l'appareil. N'utilisez pas de détergents agressifs, solvants ou autres produits de ce type.
 - Sinon, vous risquez de provoquer un incendie, une électrocution, ou d'endommager les composants en plastique.
- Ne touchez pas les parties métalliques de l'appareil lorsque vous enlevez le filtre à air. Elles sont tranchantes.
 - Vous éviterez ainsi de vous blesser.
- Ne montez pas sur l'appareil et ne posez rien dessus. (unités extérieures)
 - Vous risqueriez de vous blesser ou d'altérer le fonctionnement de l'appareil.
- Veillez à toujours mettre le filtre correctement en place. Nettoyez le filtre tous les quinze jours ou plus souvent si nécessaire.
 - Un filtre sale entraîne une réduction des performances du climatiseur et peut provoquer un dysfonctionnement ou endommager l'appareil.
- Ne placez pas vos mains ou un objet au niveau de l'entrée ou de la sortie d'air lorsque l'appareil est en marche.
 - Certaines pièces acérées et mobiles pourraient vous blesser.
- Ne buvez pas l'eau évacuée de l'appareil.
 - Cette eau n'est pas potable et peut provoquer des problèmes de santé graves.
- Utilisez un escabeau ou une échelle stable pour nettoyer ou réparer l'appareil en hauteur.
 - Faites attention à ne pas vous blesser.
- Remplacez les piles des télécommandes par des piles neuves de même modèle. Ne mélangez pas des piles usées et neuves ou des piles de types différents.
 - Cela pourrait provoquer une explosion ou un incendie.
- Ne rechargez pas et ne démontez pas les piles. Ne jetez pas les piles au feu.
 - Elles pourraient brûler ou exploser.
- En cas de projection d'électrolyte pour batterie sur la peau ou les vêtements, rincez soigneusement à l'eau claire. N'utilisez pas la télécommande en cas de fuite des piles.
 - Les produits chimiques contenus dans les piles et les batteries peuvent provoquer des brûlures ou des blessures.

Installation

Schéma d'installation



ACCESSOIRES

(1) Flexible d'évacuation	1pièce
(2) Télécommande	1pièce
(3) Support de télécommande	1pièce
(4) Vis de fixation pour support de télécommande	2pièce
(5) Piles (AAA)	2pièce
(6) Plaque d'installation	1pièce
(7) Filtre anti-allergie	1pièce
(8) Vis de fixation pour plaque d'installation 4*25 mm	5pièce
(9) Vis à bois de fixation pour unité intérieure	6pièce

※ (4),(8),(9) → Vis

- Le composant peut varier selon le modèle.
 (pour unité extérieure simple)

REMARQUE

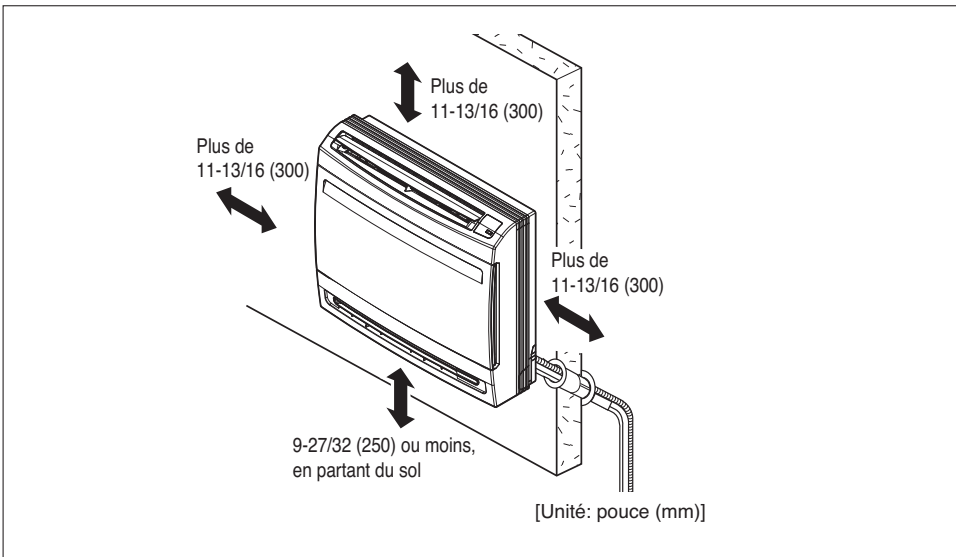
(※) Vous devez vous procurer les pièces nécessaires à l'installation.

Choix d'un site d'installation

1. L'unité ne doit pas être installée à proximité d'une source de chaleur ou de vapeur.
2. Aucun obstacle ne doit se trouver autour l'unité.
3. Assurez-vous que les condensats sont correctement évacués.
4. N'installez pas l'unité à proximité d'une porte.
5. Laissez un intervalle de plus de 11-13/16" (300mm) entre le mur et le côté droit ou gauche de l'unité.
6. Utilisez un détecteur de métaux pour localiser les clous ou chevilles déjà en place et éviter d'endommager le mur.
7. Tenez l'appareil éloigné des lampes fluorescentes à ignition électronique car ce type de lampes peut court-circuiter la télécommande.
8. Utilisez la télécommande à une distance d'au moins 3.3ft (1m) d'une télévision ou d'une radio. (Cela permet d'éviter toute interférence avec l'image ou le son.)

REMARQUE

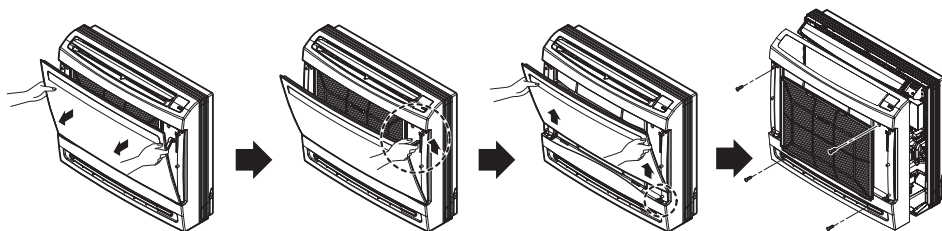
- Avant de choisir le site d'installation, demandez l'approbation de l'utilisateur.
- Si l'unité est installée sous une fenêtre, veillez à ce qu'elle ne touche pas les rideaux [plus de 11-13/16" (300mm)].



Installation de l'unité intérieure.

4-1. Préparation / Retrait de la façade

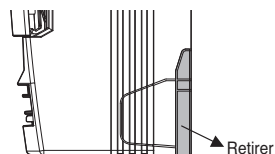
1. Ouvrez la grille frontale en la tirant vers l'avant.
2. Retirez ensuite l'articulation de l'encoche de la façade.
3. Puis désengagez les 2 charnières de la grille des encoches de la façade.
4. Retirez ensuite les 4 vis et retirez la façade en la tirant vers l'avant.



4-2. Préparation / Pour moulures, tuyauterie latérale et installation encastrée

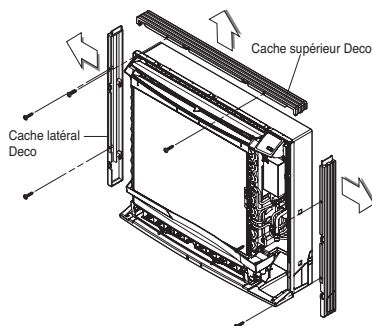
4-2-1 Pour moulures

1. Retirez les parties à fentes du panneau arrière.



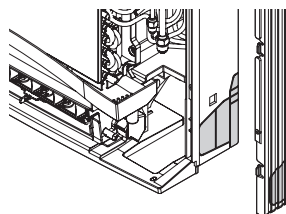
4-2-2 Pour installation encastrée

1. Retirez les 6 vis.
2. Retirez le cache supérieur Deco.
3. Retirez le cache latéral Deco.




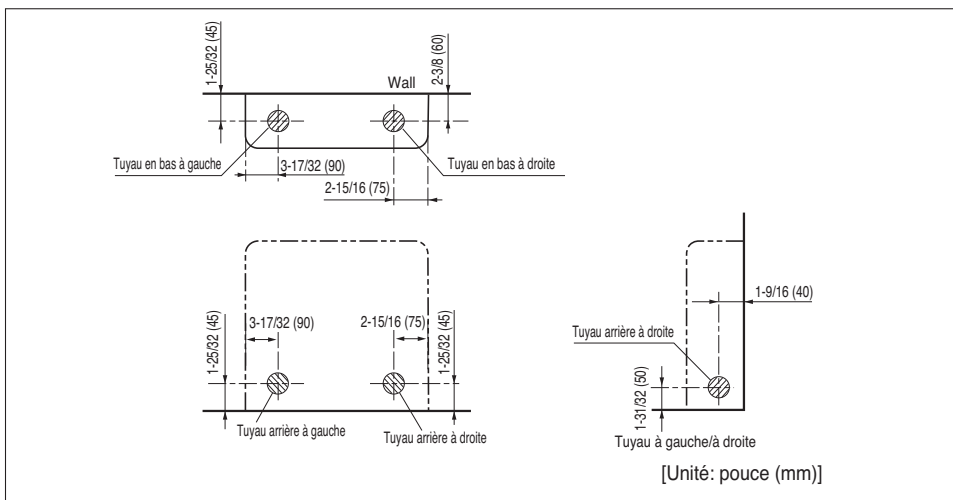
4-2-3 Pour tuyauterie latérale (Référence 4-2-2.)

1. Retirez les caches Deco.
2. Retirez les parties à fentes.
3. Remontez les caches Deco.



4-3. Tuyauterie frigorifique

1. L'emplacement du trou varie en fonction du côté de sortie du tuyau.
2. Percez un trou $\varnothing 2-3/4"$ (70mm) à l'endroit indiqué par le symbole  dans l'illustration ci-dessous.

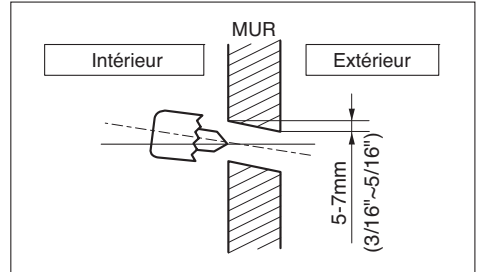


REMARQUE

- La longueur du tuyau doit être de 16.4ft (5m) minimum, afin d'éviter les nuisances sonores de l'unité extérieure et les vibrations.

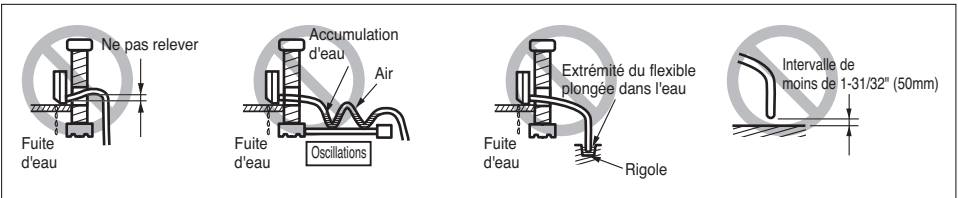
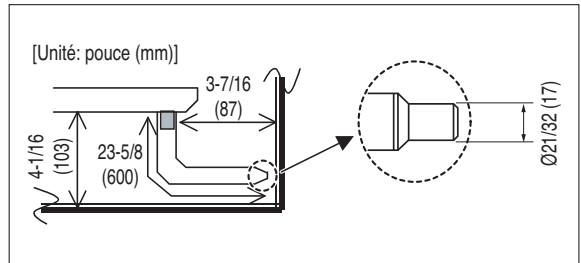
4-4. Perçage d'un trou dans le mur

- Percez un trou pour le tuyau à l'aide d'un foret de 2-3/4" (70mm) de diamètre. Percez le trou du côté droit ou gauche en inclinant légèrement le foret vers le bas.



4-5. Tuyauterie d'évacuation

- Le flexible d'évacuation (fourni avec l'unité intérieure) a un diamètre extérieur de 21/32" (17mm) à son extrémité, et mesure 23-5/8" (600mm) de long.
- Utilisez un tuyau en PVC rigide vendu dans le commerce comme extension.
- Isolez le tuyau d'évacuation de l'unité intérieure à l'aide d'un matériau isolant adapté d'au moins 13/32" (10mm) pour éviter toute condensation.



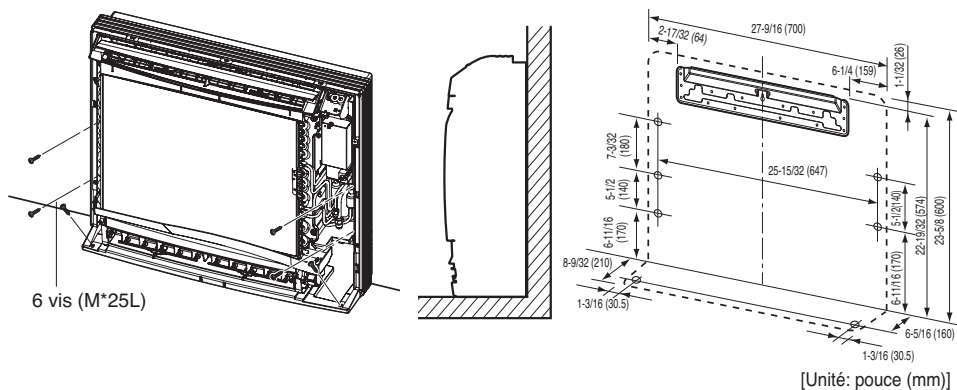
REMARQUE

- Le tuyau d'évacuation doit être incliné vers le bas afin d'assurer un écoulement régulier de l'eau et d'éviter toute accumulation.

4-6. Installation de l'unité intérieure

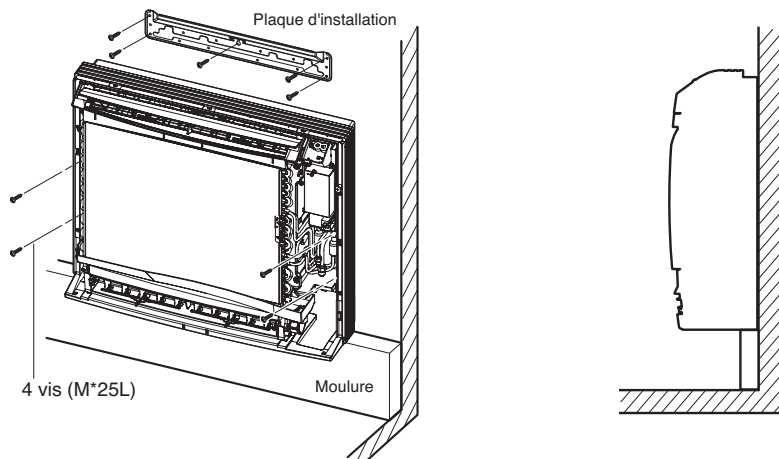
4-6-1 Installation au sol

1. Utilisez 6 vis pour une installation au sol.



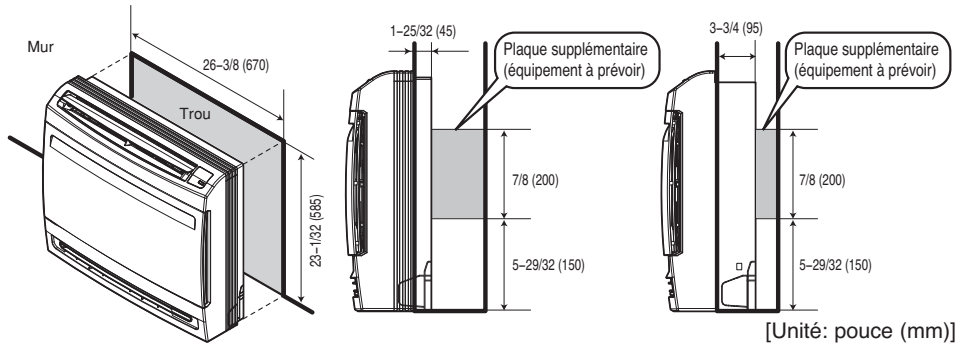
4-6-2 Installation au mur

1. Fixez la plaque d'installation à l'aide de 5 vis, puis montez l'unité intérieure sur la plaque à l'aide de 4 vis.
2. La plaque d'installation doit être fixée sur un mur capable de supporter le poids de l'unité intérieure.



4-6-3 Installation semi-encastrée.

1. Percez dans le mur un trou de la taille indiquée à la figure 1.



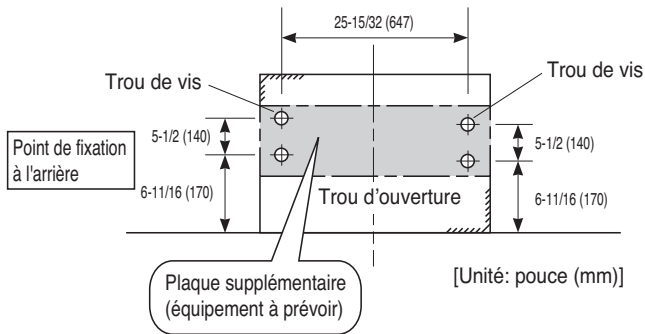
<Fig - 1>

1) Encastrement normal

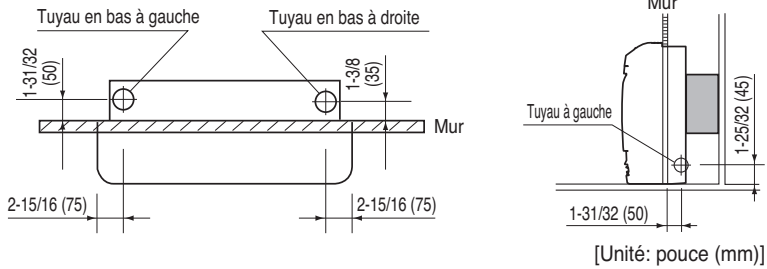
2) Encastrement profond

2. Installation de la plaque supplémentaire pour fixation de l'unité principale

- L'arrière de l'unité doit être fixé à l'aide de vis tel qu'indiqué à la figure 2. Avant d'installer la plaque supplémentaire, assurez-vous que la profondeur du mur intérieur est suffisante.

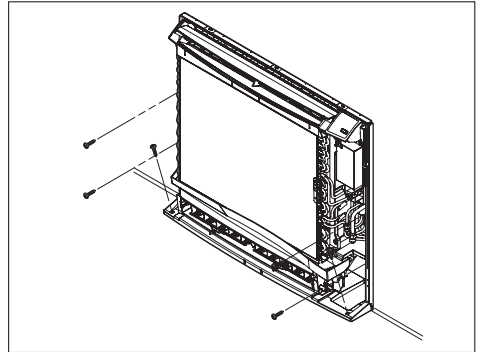


3. Orifice de tuyauterie

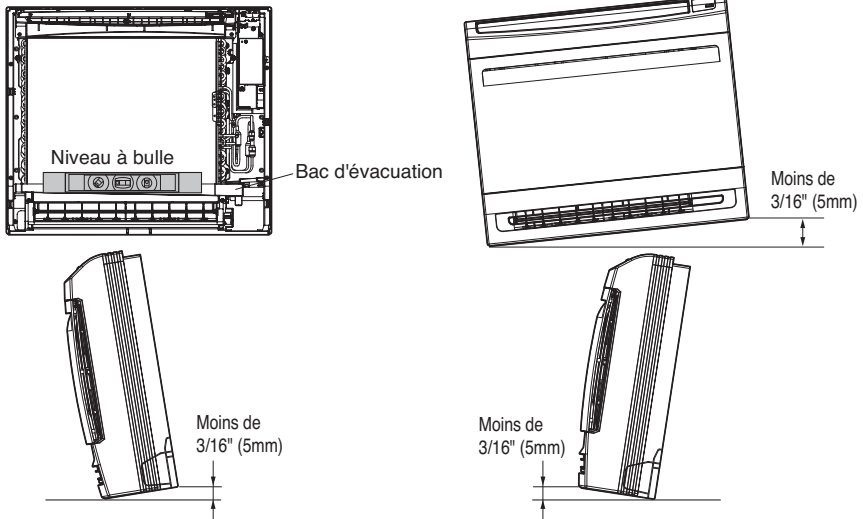


4. Retirez les caches Deco puis fixez l'unité intérieure.

- 1) Retirez les caches Deco. (Référence 4-2-2.)
- 2) Insérez l'unité intérieure dans le trou percé dans le mur.
- 3) Fixez-la à l'aide des 6 vis (tel qu'indiqué dans l'illustration).

**REMARQUE**

- Vérifiez que l'unité intérieure est bien de niveau. Utilisez un niveau à bulle en le plaçant sur le guide du bac d'évacuation.

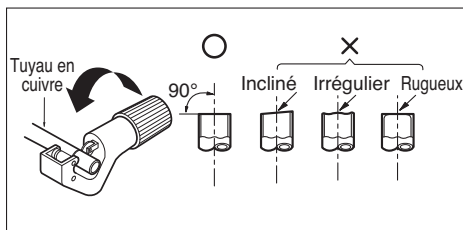


Travail d'évasement

Les fuites de gaz proviennent principalement d'un défaut de raccordement. Il convient donc d'effectuer les raccordements en respectant la procédure suivante.

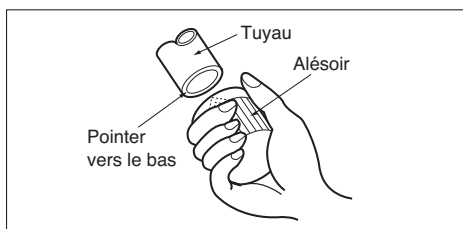
Coupez les tuyaux et le câble.

1. Utilisez le kit d'accessoires ou les tuyaux achetés.
2. Mesurez la distance entre l'unité intérieure et l'unité extérieure.
3. La longueur du tuyau doit être légèrement supérieure à la distance mesurée.
4. Coupez le câble de sorte qu'il soit 4.9ft(1.5m) plus long que le tuyau.



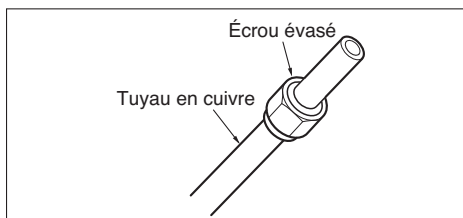
Ébarbage

1. Ébarbez complètement la partie du tuyau que vous avez coupée.
2. Pendant cette opération, dirigez l'extrémité du tuyau vers le bas afin d'éviter que des particules ne tombent à l'intérieur.



Pose des écrous

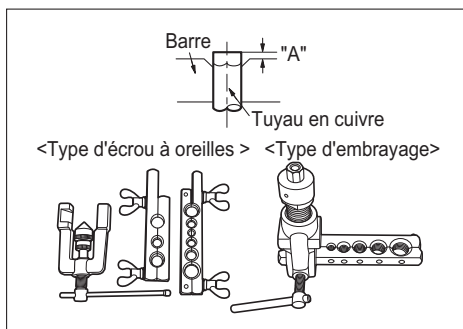
- Retirez les écrous évasés fixés sur les unités intérieure et extérieure, puis placez-les sur le tuyau après avoir éliminé les bavures (il est impossible de les fixer après le travail d'évasement).



Évasement

1. Maintenez solidement le tuyau en cuivre dans une barre aux dimensions indiquées dans le tableau suivant.
2. Réalisez le travail d'évasement à l'aide de l'outil à évaser.

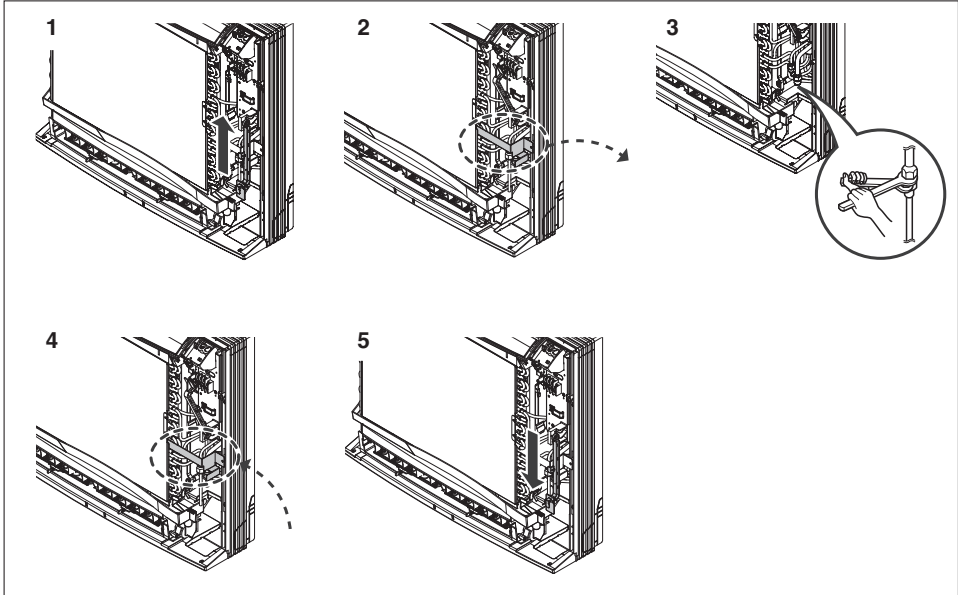
Dimension des tuyauxinch (mm)	A pouce (mm)	
	Type d'écrou à oreilles	Type d'embrayage
Ø 1/4 (Ø6.35)	0.04~0.05(1.1~1.3)	0~0.02 (0~0.5)
Ø 3/8 (Ø9.52)	0.06~0.07(1.5~1.7)	
Ø 1/2 (Ø12.7)	0.06~0.07(1.6~1.8)	
Ø 5/8 (Ø15.88)	0.06~0.07(1.6~1.8)	
Ø 3/4 (Ø19.05)	0.07~0.08(1.9~2.1)	



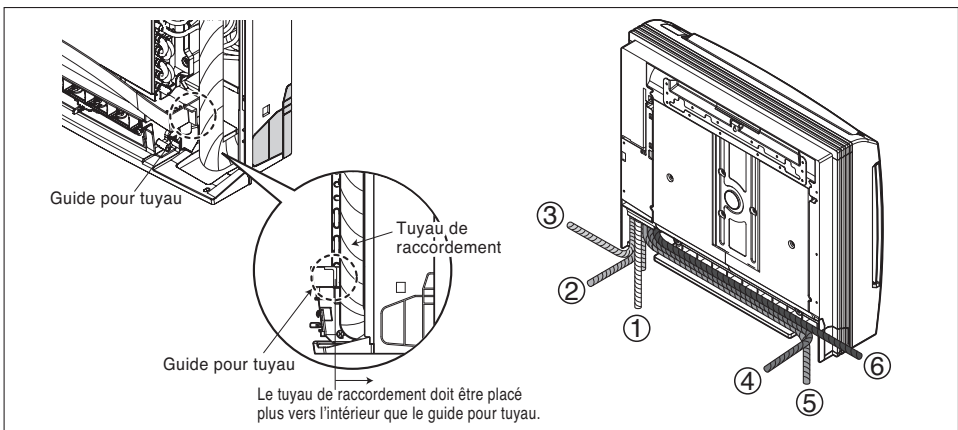
Raccordement de la tuyauterie

Il est plus facile de connecter le tuyau de gaz avant de connecter le tuyau frigorifique.

1. Levez le capteur.
2. Enlevez le support pour tuyau (2 vis).
3. Raccordez le tuyau du fluide frigorigène (Voir la page suivante).
4. Installez le support pour tuyau (2 vis).
5. Abaissez le capteur.



6. Une fois connecté, vérifiez que la tuyauterie est conforme à l'illustration.
7. La tuyauterie peut être configurée de 6 façons différentes, tel qu'indiqué dans l'illustration ci-contre.



⚠ MISE EN GARDE

Si le flexible d'évacuation traverse la pièce, isolez-le à l'aide d'un matériau isolant approprié* pour éviter que d'éventuelles gouttes d'eau dues à la condensation n'endommagent le sol ou les meubles.

* Il est recommandé d'utiliser de la mousse de polyéthylène ou un produit équivalent.

Raccordement du tuyau d'installation et du flexible d'évacuation à l'unité intérieure.

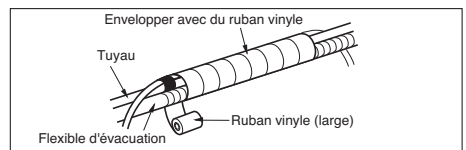
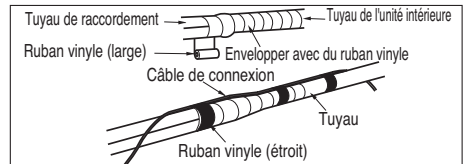
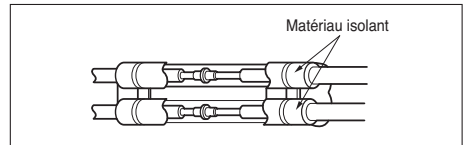
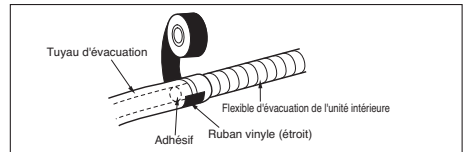
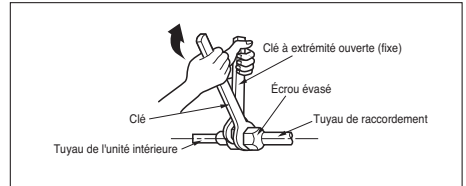
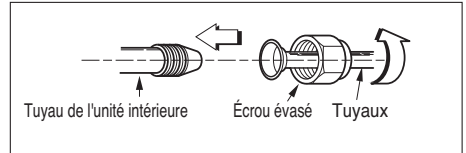
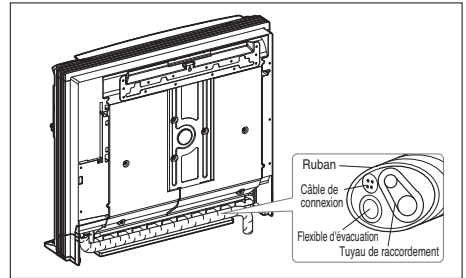
1. Alignez le centre des tuyaux et resserrerz manuellement l'écrou évasé.
2. Serrez l'écrou évasé à l'aide d'une clé.

Diamètre extérieur		Couple
mm	inch	kgf-m
Ø6.35	1/4	1.8~2.5
Ø9.52	3/8	3.4~4.2
Ø12.7	1/2	5.5~6.5
Ø15.88	5/8	6.3~8.2
Ø19.05	3/4	9.9~12.1

3. S'il est nécessaire d'étendre le flexible de l'unité intérieure, installez le tuyau d'évacuation comme indiqué sur le schéma.

Isolation de la tuyauterie.

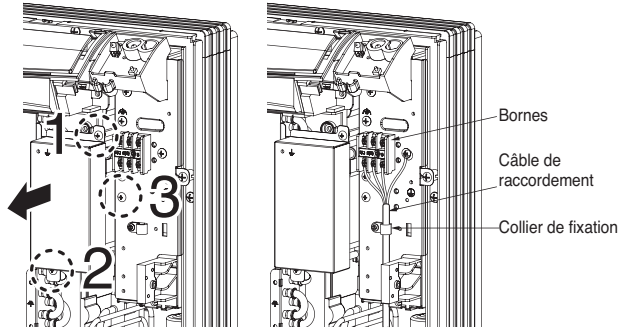
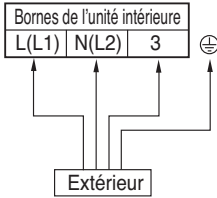
1. Faites chevaucher le matériau isolant du tuyau de raccordement avec le matériau isolant du tuyau de l'unité intérieure. Maintenez-les ensemble à l'aide d'un ruban vinyle en évitant de créer des interstices.
2. Enveloppez la zone de raccordement à l'arrière des tuyaux avec du ruban vinyle.
3. Regroupez le tuyau et le flexible d'évacuation en les enveloppant à l'aide de ruban vinyle sur toute la longueur de leur raccordement à l'arrière de l'unité.



Connexions électriques

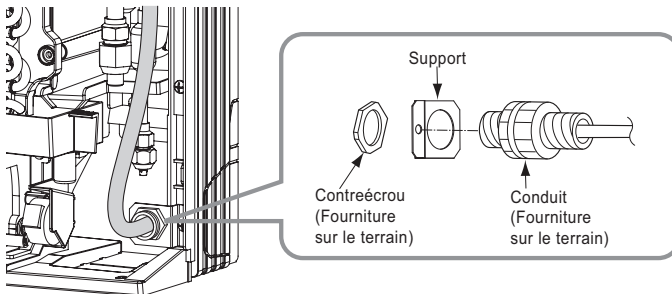
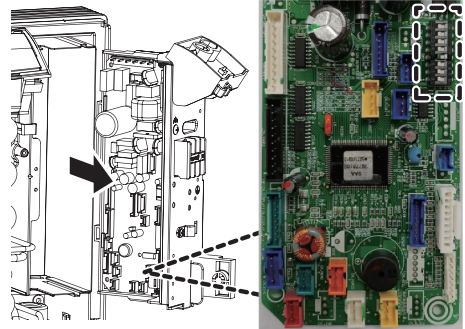
Connexions électriques

1. Dévisser les vis n° 1 et 2 du couvercle du coffret électrique.
2. Connectez le câble aux bornes tel qu'indiqué sur le schéma ci-dessous.



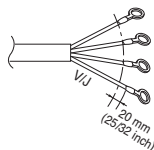
3. Fixez le câble dans le coffret électrique à l'aide du collier.
4. S'il est nécessaire de régler l'unité intérieure, dévissez la vis n° 3 et soulevez la carte électronique. (option : utilisation de volets de soufflage inférieurs, limitation de l'angle du volet supérieur).

Commutateur Dip	Description	OFF	ON
S/W 5	Installation	Exposée	Semi encastrée
S/W 7	Volet de soufflage	Volet supérieur + inférieur	Volet supérieur uniquement



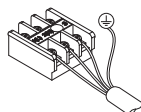
⚠ MISE EN GARDE

Le câble d'alimentation entre l'unité intérieure et extérieure doit être conforme aux spécifications suivantes: reconnu par le NRTL (exemple, reconnu par UL ou ETL et certifié par le CSA). AWG 18-4 représente la taille minimum du câble recommandée, toutefois, les conducteurs sélectionnés doivent être conformes aux codes locaux et adaptés à une installation dans les endroits humides.



Si le câble d'alimentation est endommagé, il doit être remplacé par un câble spécial ou d'assemblage fourni par le fabricant ou le service d'assistance.

Si la ligne située entre l'unité intérieure et l'unité extérieure dépasse 40 m, raccordez la ligne de communication et la ligne d'alimentation séparément.



Précautions à prendre lors de la pose du câble d'alimentation et du fil de terre

Utilisez des cosses serties à anneau pour les connexions au bornier de puissance.

Lors de la pose du fil de terre, vous devez utiliser des bornes à pression rondes.



En cas d'indisponibilité, suivez les instructions ci-dessous.

- Ne connectez pas des câbles de diamètres différents au bornier de puissance (un jeu dans le câblage de puissance peut entraîner un échauffement anormal).
- Lorsque vous connectez les câbles de diamètre identique, procédez comme indiqué dans la figure ci-dessous.



- Pour le câblage, utilisez les câbles d'alimentation appropriés et raccordez-les soigneusement. Veillez également à ce que la pression extérieure ne puisse pas être exercée sur les bornes d'alimentation.
- Utilisez un tournevis approprié pour serrer les vis du bornier. Un tournevis doté d'une petite tête risque d'arracher la partie supérieure de la vis et rendre tout serrage impossible.
- Un serrage excessif des vis du bornier risque de les altérer de manière irréversible.

REMARQUE

Utilisez le câble de branchement NRTL (UL, ETL, CAS...) spécifié et les conducteurs THHN torsadés en cuivre, la gaine de 600 V en fibre de polychlorure de vinyle répertoriée, conforme au ROHS, résistant aux rayons ultraviolets (UV), enterrée directement et approuvée pour une utilisation dans des conditions froides. Température nominale pour -20°C (-4°F) jusqu'à 90°C (194°F). Ce câble doit être enveloppé dans le conduit.

⚠ AVERTISSEMENT

- Assurez-vous de respecter les codes locaux pour le raccordement de l'unité intérieure à l'unité extérieure (dimension du câble et méthode de câblage, etc.).
- Tous les câbles doivent être solidement raccordés.
- Aucun câble ne doit toucher la tuyauterie de réfrigération, le compresseur ni aucune pièce mobile.
- Les câbles de communication du climatiseur doivent être séparés et isolés du circuit électrique des appareils externes comme les ordinateurs, l'ascenseur, les équipements de diffusion radio et télévision ainsi que des structures d'imagerie médicale.

⚠ AVERTISSEMENT

Un raccordement desserré peut provoquer une surchauffe de la borne ou un dysfonctionnement de l'unité.

Un risque d'incendie peut également survenir.

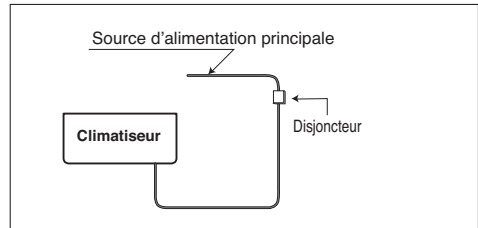
Par conséquent, assurez-vous que tous les câbles sont correctement raccordés.

Câblage électrique

1. Le câblage doit être effectué conformément aux RÉGLEMENTATIONS LOCALES.
2. Veillez à ce que le système d'alimentation soit capable de fournir le courant requis par le climatiseur.
3. Alimentez l'unité à l'aide d'un tableau de distribution prévu à cet effet.
4. Les vis des bornes à l'intérieur du coffret électrique ont pu être desserrées suite à des vibrations pendant le transport. Vérifiez que les vis des bornes sont bien serrées. (L'utilisation du climatiseur avec des connexions desserrées peut entraîner une surcharge et endommager les composants électriques.)
5. Reliez toujours le climatiseur à la terre avec un fil et un connecteur de mise à la terre, conformément aux RÉGLEMENTATIONS LOCALES.

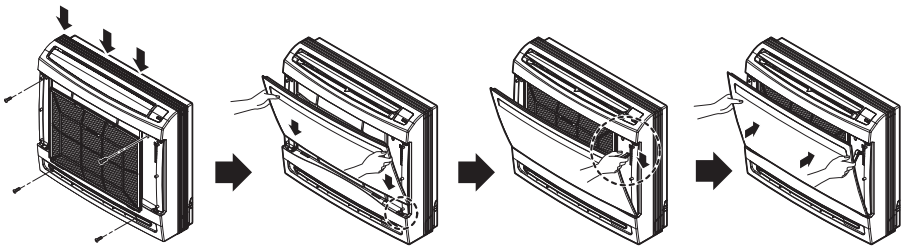
⚠ MISE EN GARDE

- Le schéma électrique peut faire l'objet de modifications sans préavis.
- Veillez à raccorder les fils conformément au schéma.
- Connectez solidement les fils afin d'éviter qu'ils ne se détachent facilement.
- Effectuez les connexions en respectant les couleurs des fils indiquées par le schéma.



Installation de la façade

1. Placez la façade sur l'unité intérieure et appuyez sur la partie supérieure indiquée par des flèches.
2. Vérifiez la sonde de température de l'air et installez les 4 vis.
3. Remettez la grille en place.
4. Refermez la grille.

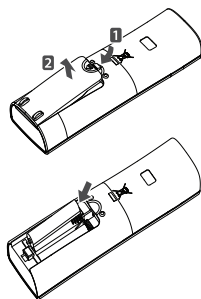


Test de fonctionnement

1. Vérifiez que les tuyaux et les câbles sont correctement raccordés.
2. Vérifiez que les vannes de service gaz et liquide sont totalement ouvertes.

Préparation de la télécommande

1. Retirez le couvercle des piles en suivant le sens de la flèche.
2. Insérez les nouvelles piles en veillant à respecter les polarités + et -.
3. Remettez le couvercle en place.



REMARQUE

1. Utilisez toujours des piles de même type.
2. Si l'appareil n'est pas utilisé pendant longtemps, retirez les piles afin de préserver leur durée de vie.
3. Si les informations sur l'afficheur de la télécommande commencent à s'estomper, remplacez les piles.
4. Utilisez deux piles de type AAA (1,5 volt).

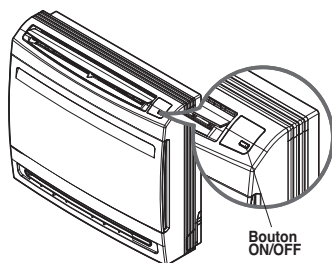
Test de fonctionnement

Durant le TEST DE FONCTIONNEMENT, l'unité est en mode Froid avec une vitesse du ventilateur élevée, quelle que soit la température de la pièce, puis elle se réinitialise au bout de 18 minutes.

Durant le test de fonctionnement, si l'unité reçoit un signal de la télécommande, elle fonctionne conformément aux instructions de la télécommande.

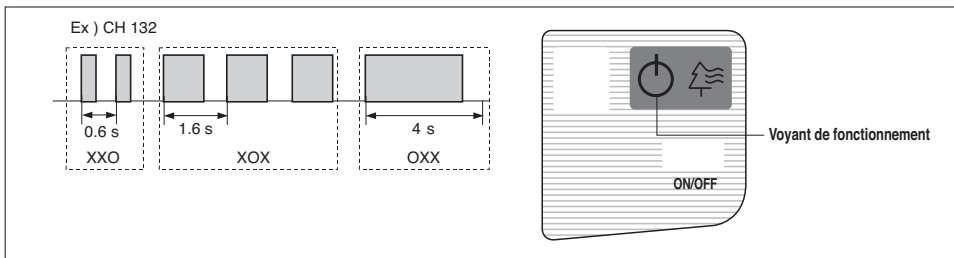
Pour utiliser le mode Test, **appuyez sur le bouton ON/OFF et maintenez-le enfoncé pendant 3 à 5 secondes** ; un signal sonore retentit.

Pour l'arrêter, appuyez à nouveau sur le bouton.



Auto-diagnostic

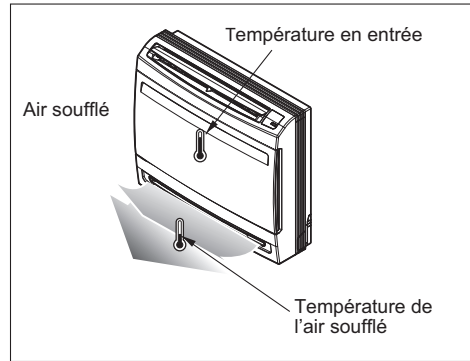
Cette unité comporte une fonction intégrée de diagnostic des erreurs. Une erreur est signalée par un voyant ROUGE. Dans ce cas, contactez votre distributeur ou votre technicien.



Évaluation des performances

Mettez en marche l'unité pendant 10 à 15 minutes, puis vérifiez la charge du fluide frigorigène :

1. Mesurez la pression au niveau de la vanne de service de gaz.
 2. Mesurez la température de l'entrée d'air et du refoulement du climatiseur.
 3. Assurez-vous que la différence entre les températures en entrée et en sortie est supérieure à 46.4°F (8°C).
 4. Pour référence, la pression optimale côté gaz est telle qu'indiquée dans le tableau (froid).
- Le climatiseur est désormais prêt à fonctionner.



Fluide frigorigène	TEMP. extérieure	Pression de la vanne côté gaz
R-410A	95°F (35°C)	8.5~9.5kg/cm ² G(120~135 P.S.I.G.)

REMARQUE

Si la pression est supérieure à la valeur spécifiée, le système est probablement en surcharge ; vous devez donc retirer du fluide frigorigène.

Si la pression est inférieure à la valeur spécifiée, le système est probablement en sous-charge ; vous devez donc rajouter du fluide frigorigène.

GARANTIE (CANADA)

AVIS D'ARBITRAGE : LA PRÉSENTE GARANTIE LIMITÉE CONTIENT UNE DISPOSITION SUR L'ARBITRAGE QUI EXIGE QUE LE RÈGLEMENT DES DIFFÉRENDS ENTRE VOUS ET LG S' EFFECTUE PAR ARBITRAGE EXÉCUTOIRE PLUTÔT QUE DEVANT UN TRIBUNAL, ÂMOINS QUE LES LOIS DE VOTRE PROVINCE OU TERRITOIRE L'INTERDISSENT OU QUE, DANS UN AUTRE TERRITOIRE DE COMPÉTENCE, VOUS VOUS PRÉVALIEZ D'UNE OPTION DE RETRAIT. LES RECOURS COLLECTIFS ET LES PROCÈS DEVANT JURY NE SONT PAS AUTORISÉS PAR LE PROCESSUS D'ARBITRAGE. VEUILLEZ VOUS RÉFÉRER CI-DESSOUS À L'ARTICLE « PROCÉDURE DE RÈGLEMENT DE DIFFÉREND »

PROCÉDURE DE RÈGLEMENT DE DIFFÉREND:

SAUF LA OÙ LA LOI L'INTERDIT, TOUT DIFFÉREND ENTRE VOUS ET LG ASSOCIÉ DE QUELQUE FAÇON QUE CE SOIT À LA PRÉSENTE GARANTIE LIMITÉE SE RÈGLE EXCLUSIVEMENT PAR ARBITRAGE EXÉCUTOIRE PLUTÔT QUE DEVANT UN TRIBUNAL DE DROIT COMMUN. SAUF LA OÙ LA LOI L'INTERDIT, VOUS ET LG RENONCEZ IRRÉVOCABLEMENT À TOUT DROIT À UN PROCÈS DEVANT JURY, AINSI QU'À EXERCER UN RECOURS COLLECTIF OU À Y PARTICIPER.

Définitions. Aux fins du présent article, « LG » désigne LG Electronics Canada Inc., ses sociétés mères, ses filiales et ses sociétés affiliées et tous leurs dirigeants, administrateurs, employés, agents, bénéficiaires, détenteurs précédents des mêmes droits, successeurs, cessionnaires et fournisseurs; « différend » et « réclamation » englobent tout différend, réclamation ou litige de quelque sorte que ce soit (fondés sur une responsabilité contractuelle, délictuelle, légale, réglementaire ou découlant d'une ordonnance, par fraude, fausse représentation ou sous quelque régime de responsabilité que ce soit) découlant de quelque façon que ce soit de la vente, des conditions ou de l'exécution du produit ou de la présente Garantie limitée.

Avis de différend. Si vous prévoyez engager une procédure d'arbitrage, vous devez d'abord envoyer à LG un préavis écrit d'au moins 30 jours à l'adresse suivante : Équipe juridique LGECL, Norelco Drive, North York, Ontario, Canada M9L 2X6 (l'« avis de différend »). Vous et LG convenez de discuter en toute bonne foi pour tenter de régler le différend à l'amiable. L'avis doit mentionner votre nom, votre adresse, votre numéro de téléphone, le produit faisant l'objet de la réclamation, la nature de la réclamation et la réparation demandée. Si vous et LG ne parvenez pas à régler le différend dans les 30 jours suivant la réception de l'avis de différend par LG, le différend doit être réglé par arbitrage exécutoire conformément à la procédure établie aux présentes. Vous et LG convenez que, tout au long du processus d'arbitrage, les modalités (y compris les montants) de toute offre de règlement formulée par vous ou par LG ne seront pas divulguées à l'arbitre et resteront confidentielles à moins d'accord contraire entre les deux parties ou que l'arbitre règle le différend.

Entente d'arbitrage exécutoire et renonciation à un recours collectif. Si la réclamation n'a pu être réglée dans les 30 jours suivant la réception de l'avis de différend par LG, vous et LG convenez de ne régler les réclamations vous opposant que par arbitrage exécutoire au cas par cas, à moins que vous vous prévaliez de l'option de retrait évoquée plus haut ou que vous résidiez dans un territoire de compétences qui interdit la pleine application de cette clause dans le cas de réclamations de ce type (dans lequel cas, si vous êtes un consommateur, cette clause ne s'appliquera que si vous acceptez expressément l'arbitrage). Dans la mesure où la loi en vigueur le permet, aucun différend entre vous et LG ne peut être combiné ou regroupé avec un différend faisant intervenir le produit ou la réclamation d'une personne ou entité tierce. Plus précisément et sans limiter la portée de ce qui précède, sauf dans la mesure où une telle interdiction n'est

pas autorisée en droit, en aucun cas un différend entre vous et LG ne peut être traité dans le cadre d'un recours collectif. Au lieu de l'arbitrage, les parties peuvent intenter une action individuelle devant une cour des petites créances, mais cette action ne peut pas être intentée dans le cadre d'un recours collectif, sauf dans la mesure où une telle interdiction n'est pas autorisée en droit dans votre province ou territoire de compétences pour une réclamation en cause qui nous oppose.

Règles et procédures d'arbitrage. Pour soumettre une réclamation à un arbitrage, l'une des deux parties, soit vous ou LG, doit déposer une demande écrite à cet effet. L'arbitrage est privé et confidentiel et s'effectue selon une procédure simplifiée et accélérée devant un arbitre unique choisi par les parties conformément aux lois et règlements en vigueur portant sur l'arbitrage commercial de votre province ou territoire de résidence. Vous devez également envoyer une copie de votre demande écrite à LG Electronics Canada Inc., Legal Department - Arbitration, 20 Norelco Drive, North York, Ontario M9L 2X6. La présente disposition sur l'arbitrage est régie par les lois et règlements sur l'arbitrage commercial applicables de votre province ou territoire. La sentence arbitrale peut donner lieu à un jugement de n'importe quel tribunal compétent. Toutes les décisions relèvent de l'arbitre, à l'exception des questions associées à la portée et à l'applicabilité de la disposition sur l'arbitrage et à l'arbitrabilité du différend, qui sont du ressort du tribunal. L'arbitre est tenu de respecter les modalités de la présente disposition.

Droit applicable. Les lois de votre province ou territoire de achat régissent la présente Garantie limitée et tout différend entre nous, sauf dans la mesure où de telles lois sont supplantées par des lois fédérales, provinciales ou territoriales applicables ou sont incompatibles avec ces dernières. Si l'arbitrage n'est pas autorisé pour régler une réclamation, une poursuite, un différend ou un litige nous opposant, nous nous en remettons à la compétence exclusive des tribunaux de votre province ou territoire de achat compétence pour le règlement de la réclamation, de la poursuite, du différend ou du litige nous opposant.

Frais et coûts. Aucuns frais ne sont exigibles pour entamer une procédure d'arbitrage. À la réception de votre demande d'arbitrage écrite, LG réglera rapidement la totalité des frais de dépôt de la demande d'arbitrage, sauf si vous réclamez des dommages-intérêts supérieurs à 25 000 \$. Dans ce cas, le paiement de ces frais sera régi par les règles d'arbitrage applicables. Sauf disposition contraire aux présentes, LG paiera tous les frais de dépôt de demande et d'administration ainsi que les honoraires de l'arbitre conformément aux règles d'arbitrage applicables et à la présente disposition sur l'arbitrage. Si vous remportez l'arbitrage, LG réglera vos frais et honoraires juridiques après avoir déterminé s'ils sont raisonnables en se fondant sur des facteurs comme, entre autres, le montant de l'achat et le montant de la réclamation. Si l'arbitre juge que le motif de la réclamation ou les réparations demandées sont futiles ou se fondent sur des motifs déplacés (au regard des lois applicables), le paiement de tous les frais d'arbitrage sera régi par les règles d'arbitrage applicables. Dans un tel cas, vous acceptez de rembourser à LG la totalité des montants versés qu'il vous revient autrement de payer en vertu des règles d'arbitrage applicables. Sauf disposition contraire et si elle remporte l'arbitrage, LG renonce à tous ses droits de vous réclamer des frais et honoraires juridiques.

Audience et lieu de l'arbitrage. Si votre réclamation est égale ou inférieure à 25 000 \$, vous pouvez opter pour un arbitrage conduit selon l'une des modalités suivantes uniquement : 1) sur examen des documents remis à l'arbitre, 2) par audience téléphonique ou 3) par audience en personne selon les dispositions des règles d'arbitrage applicables. Si votre réclamation dépasse 25 000 \$, le droit à une audience sera défini par les règles d'arbitrage applicables. Les audiences arbitrales en personne se tiendront à l'endroit le plus proche et le plus pratique pour les deux parties situé dans votre province ou votre territoire de résidence, sauf si nous convenons mutuellement d'un autre lieu ou d'un arbitrage par téléphone.

Dissociabilité et renoncement. Si une partie de la présente Garantie limitée (y compris les présentes procédures d'arbitrage) n'est pas applicable, les dispositions restantes demeurent en vigueur dans la mesure permise par la loi applicable. Le fait de ne pas exiger la stricte exécution d'une disposition de la présente Garantie limitée (y compris les présentes procédures d'arbitrage) ne signifie pas que nous ayons renoncé ni que nous ayons l'intention de renoncer à toute disposition ou partie de la présente Garantie limitée.

Option de retrait. Vous pouvez vous retirer de la présente procédure de règlement de différend. Dans ce cas, ni vous ni LG ne pouvez imposer à l'autre partie de participer à une procédure d'arbitrage. Pour vous prévaloir de l'option de retrait, vous devez envoyer un préavis à LG dans les trente (30) jours civils à compter de la date de l'achat du produit par le premier acheteur i) dans un courriel adressé à optout@lge.com et dont la ligne d'objet porte la mention «Retrait de l'arbitrage »ou ii) en composant le 1-800-980-2973. Que ce soit par courriel ou par téléphone, vous devrez donner a) votre nom et votre adresse; b) la date d'achat du produit; c) le nom ou le numéro de modèle du produit et d) le numéro de série [qu' il est possible de trouver i) sur le produit ou ii) en ligne au https://www.lg.com/ca_fr/soutien/repairation-garantie/demande-reparation, Trouver mes numéros de modèle et de série].

Si vous vous prévalez de l'option de retrait, les lois de votre province ou territoire de résidence régissent la présente Garantie limitée et tout différend entre nous, sauf dans la mesure où de telles lois sont supplantées par des lois fédérales, provinciales ou territoriales applicables ou sont incompatibles avec ces dernières. Si l'arbitrage n'est pas autorisé pour régler une réclamation, une poursuite, un différend ou un litige nous opposant, nous nous en remettons à la compétence exclusive des tribunaux de votre province ou territoire de compétence pour le règlement de la réclamation, de la poursuite, du différend ou du litige nous opposant.

Vous ne pouvez vous prévaloir de l'option de retrait que de la manière décrite plus haut (c'est-à-dire par courriel ou par téléphone). Aucun autre type d'avis ne sera pris en compte pour le retrait de la présente procédure de règlement de différend. Le fait de se retirer de la présente procédure de règlement de différend ne compromet d'aucune façon la protection accordée en vertu de la Garantie limitée, et vous continuerez à jouir de tous les avantages prévus par la Garantie limitée. Si vous conservez ce produit sans vous prévaloir de l'option de retrait, vous acceptez les conditions générales de la disposition sur l'arbitrage énoncée ci-dessus.

Conflit de modalités. En cas de conflit ou d'incompatibilité entre les modalités de la présente garantie limitée et le contrat de licence d'utilisation (CLU) en ce qui concerne le règlement des différends, les modalités de la présente garantie limitée contrôlent et régissent les droits et obligations des parties et ont préséance sur le CLU.

MANUAL DE INSTALACIÓN

AIRE ACONDICIONADO

Por favor, lea completamente este manual antes de instalar el producto.
El trabajo de instalación debe realizarse conforme a los estándares de cableado nacionales por el personal autorizado.
Una vez haya leído el manual atentamente, guárdelo para futuras referencias.

Vertical (Consola)

TABLA DEL CONTENIDO

3 INSTRUCCIONES DE SEGURIDAD

7 INSTALACIÓN

- 7 Mapa de instalación
- 8 Diagrama de la unidad interior
- 9 Elección del lugar de instalación
- 10 Instalación de la unidad interior
- 16 Abocinado
- 17 Conexión de los conductos


19 CONEXIÓN ELÉCTRICA

- 19 Conexión eléctrica
- 21 Cableado eléctrico
- 21 Instalación del panel frontal
- 22 Prueba de funcionamiento

24 GARANTÍA (USA)

Instrucciones de seguridad

Las siguientes pautas de seguridad sirven para evitar daños o riesgos imprevistos generados por una operación incorrecta del producto. Las directrices se dividen entre "ADVERTENCIA" y "PRECAUCIÓN", tal como se describe a continuación.

 Este símbolo se muestra para indicar cuestiones y funcionamientos que pueden resultar riesgosos. Lea la sección con este símbolo atentamente y siga las instrucciones para evitar riesgos.

ADVERTENCIA

Esto indica que el incumplimiento de las instrucciones puede provocar lesiones graves o la muerte.

PRECAUCIÓN

Esto indica que el incumplimiento de las instrucciones puede provocar lesiones leves o daño al producto.

ADVERTENCIA

Instalación

- No utilice un interruptor diferencial defectuoso o con una capacidad nominal inferior a la necesaria. Utilice este dispositivo en un circuito dedicado.
 - Existe el riesgo de fuego o descargas eléctricas.
- Para los trabajos eléctricos, póngase en contacto con el distribuidor, el vendedor, un electricista cualificado o un Servicio técnico autorizado.
 - No desmonte ni repare el producto. Existe el riesgo de fuego o descargas eléctricas.
- Conecte el aparato a una toma de tierra.
 - Existe el riesgo de fuego o descargas eléctricas.
- Instale el panel y la cubierta de la caja de control con seguridad.
 - Existe el riesgo de fuego o descargas eléctricas.
- Instale siempre un circuito dedicado y un interruptor diferencial.
 - Un cableado o una instalación inadecuados pueden provocar un incendio o descargas eléctricas.
- Utilice un interruptor diferencial o un fusible con la clasificación adecuada.
 - Existe el riesgo de fuego o descargas eléctricas.
- No modifique ni alargue el cable de alimentación.
 - Existe el riesgo de fuego o descargas eléctricas.
- No instale, desmonte ni vuelva a instalar la unidad personalmente (el cliente).
 - Existe el riesgo de fuego, descargas eléctricas, explosión o heridas.
- Tenga cuidado al desembalar e instalar el producto.
 - Los bordes afilados podrían causar heridas. Tenga especial cuidado con los bordes de la carcasa y con las aletas del condensador y el evaporador.
- Para la instalación, retirada o reinstalación, póngase en contacto con el distribuidor o un centro de servicio técnico autorizado.
 - Existe el riesgo de fuego, descargas eléctricas, explosión o heridas.

- No instale el producto en una base de instalación defectuosa.
 - Podría causar lesiones, un accidente o bien daños en el producto.
- Asegúrese de que la zona de instalación no se deteriora con el paso del tiempo.
 - Si la base se desmorona, el aparato de aire acondicionado podría caerse con ella y producir daños materiales, un fallo del producto o heridas.
- Utilice una bomba al vacío o gas inerte (nitrógeno) cuando proceda a pruebas de escape o purga de aire. No comprima ni el aire ni el oxígeno, ni utilice gases inflamables. En caso contrario, podría causar un incendio o una explosión.
 - Existe riesgo de muerte, lesión, incendio o explosión.

Operación

- Evite que el aire acondicionado funcione durante un largo periodo de tiempo cuando la humedad sea alta y se haya dejado abierta una ventana o puerta.
 - La humedad puede condensarse y mojar o dañar los muebles.
- Tenga cuidado para asegurarse de que el cable no pueda desenchufarse de un tirón ni resultar dañado durante el funcionamiento.
 - Existe el riesgo de fuego o descargas eléctricas.
- No coloque NADA sobre el cable de alimentación.
 - Existe el riesgo de fuego o descargas eléctricas.
- No enchufe ni desenchufe el cable de alimentación mientras el aparato esté en funcionamiento.
 - Existe el riesgo de fuego o descargas eléctricas.
- No toque ni maneje el producto con las manos mojadas.
 - Existe el riesgo de fuego o descargas eléctricas.
- No coloque un calefactor ni otros aparatos cerca del cable de alimentación.
 - Existe riesgo de fuego o descargas eléctricas.
- Evite que entre agua en las partes eléctricas.
 - Existe riesgo de fuego, averías en el producto o descargas eléctricas.
- No guarde ni utilice gases o combustibles inflamables cerca del producto.
 - Existe riesgo de fuego o averías en el producto.
- No utilice el producto en un lugar muy cerrado durante un largo periodo de tiempo.
 - Podría haber una falta de oxígeno.
- En caso de fugas de gas inflamable, cierre la válvula del gas y abra las ventanas para ventilar la habitación antes de encender el producto.
 - No utilice el teléfono ni encienda o apague interruptores. Existe riesgo de explosión o fuego.
- Si el aparato emite ruidos, olores o humo extraños. Desconecte el interruptor diferencial o desenchufe el cable de alimentación.
 - Existe riesgo de descargas eléctricas o fuego.
- En caso de tormenta o de vientos fuertes, apague el aparato y cierre la ventana. Si es posible, retire el producto de la ventana ante un viento fuerte.
 - Existe riesgo de daños materiales, averías en el producto o descargas eléctricas.
- No abra la rejilla frontal del producto mientras esté en funcionamiento. (No toque el filtro electrostático en caso de que la unidad disponga de uno.)
 - Existe riesgo de heridas, descargas eléctricas o averías en el producto.
- Si el aparato se moja (por causa de una inundación), póngase en contacto con el Servicio técnico autorizado.
 - Existe el riesgo de fuego o descargas eléctricas.

- Sea precavido para que no entre agua en el aparato.
 - Existe el riesgo de fuego, descargas eléctricas o daños en el producto.
- Ventile la sala del producto de vez en cuando mientras lo utilice con una estufa, dispositivos de calor, etc.
 - Existe el riesgo de fuego o descargas eléctricas.
- Desconecte la alimentación eléctrica cuando limpie o realice el mantenimiento del producto.
 - Existe riesgo de descarga eléctrica.
- Cuando no se vaya a usar el producto durante un largo periodo de tiempo, desenchufe el cable de alimentación o desconecte el interruptor diferencial.
 - Existe riesgo de daños o averías en el producto o de un funcionamiento no deseado.
- Tenga cuidado de asegurar que nadie, en especial los niños, pise o se caiga sobre la unidad exterior.
 - Podría causar heridas o daños en el producto.

PRECAUCIÓN

Instalación

- Compruebe siempre que no hay fugas de gas (refrigerante) tras instalar o reparar el producto.
 - Unos niveles bajos de refrigerante podrían causar averías en el producto.
- Instale la manguera de drenaje para asegurarse de que se extrae el agua correctamente.
 - Una mala conexión podría causar fugas de agua.
- Mantenga el equipo nivelado mientras lo instala.
 - Para evitar vibraciones o fugas de agua.
- No instale el producto donde el ruido o el aire caliente de la unidad exterior puedan perjudicar al vecindario.
 - Podría ocasionar un problema con sus vecinos.
- Para mover y transportar el producto son necesarias dos personas.
 - Evitará daños personales.
- No instale el producto en un lugar donde pueda estar expuesto al viento marino (viento salado) directamente.
 - Podría causar corrosión en el producto. La corrosión, especialmente en las aletas del condensador y el evaporador, podría provocar averías en el producto o un rendimiento ineficaz.

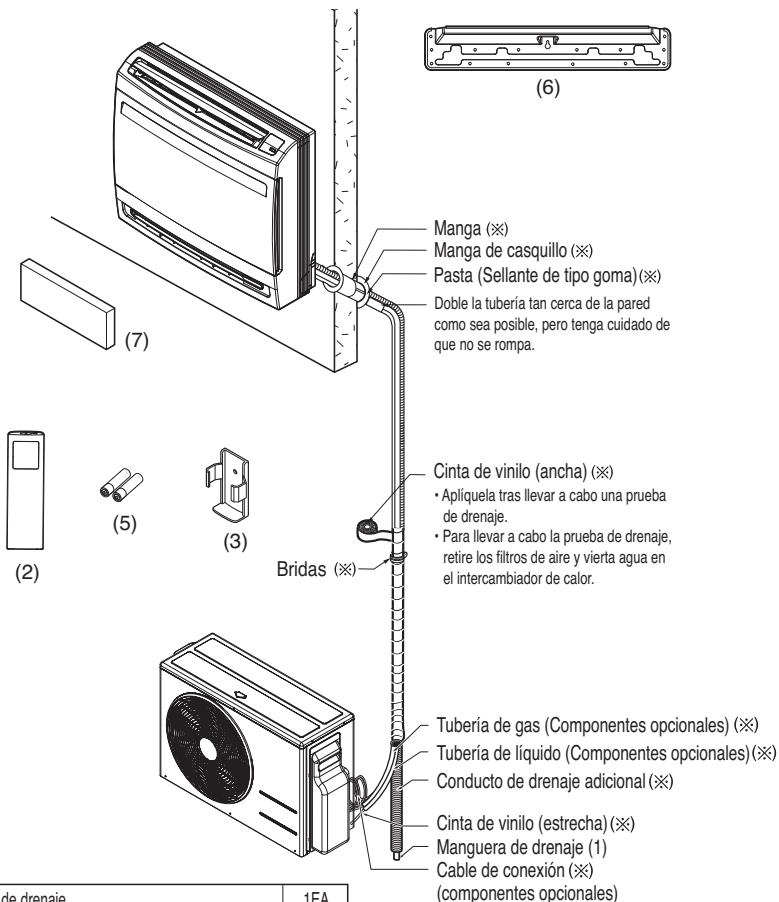
Operación

- No exponga la piel directamente al aire frío durante períodos de tiempo prolongados. (No se siente frente a la corriente de aire.)
 - Podría dañar su salud.
- No utilice el producto para fines especiales, como conservar comida, obras de arte, etc. Es un aire acondicionado doméstico, no un sistema de refrigeración de precisión.
 - Existe riesgo de daños o pérdidas de propiedad.
- No bloquee la entrada o la salida del caudal de aire.
 - Podría causar averías en el producto.
- Utilice un paño suave para limpiarlo. No use detergentes agresivos ni disolventes.
 - Existe riesgo de fuego, descargas eléctricas o daños en las partes de plástico del producto.

- Nunca toque las partes metálicas del producto al retirar el filtro de aire. Son muy afiladas.
 - Existe riesgo de daños personales.
- No pise ni coloque nada sobre el producto. (unidades exteriores)
 - Existe riesgo de daños personales y de avería del producto.
- Introduzca el filtro correctamente. Limpie el filtro cada dos semanas o con mayor frecuencia si es necesario.
 - Un filtro sucio reduce la eficacia del aparato de aire acondicionado y podría ocasionar daños en el producto o un funcionamiento ineficaz.
- No inserte las manos ni ningún otro objeto por la entrada o la salida de aire mientras el producto esté funcionando.
 - Existen partes afiladas y móviles que podrían causar heridas.
- No beba el agua de drenaje del producto.
 - No es potable y podría causar problemas de salud serios.
- Utilice una banqueta estable o una escalera para la limpieza, el mantenimiento o reparación del producto.
 - Tenga cuidado para evitar daños personales.
- Cambie las baterías del control remoto por otras nuevas del mismo tipo. No mezcle baterías nuevas y viejas ni de tipos diferentes.
 - Existe riesgo de explosión o fuego.
- No se arroje las baterías al fuego.
 - Podrían arder o explotar.
- Si el líquido de las baterías entra en contacto con la piel o la ropa, lave la zona con abundante agua. No utilice el control remoto si las baterías tienen fugas.
 - Los productos químicos de las baterías podrían causar quemaduras u otros riesgos para su salud.

Instalación

Mapa de instalación



ACCESORIOS

(1)	Manguera de drenaje	1EA
(2)	Control remoto	1EA
(3)	Soporte del control remoto	1EA
(4)	Tornillo de fijación para el soporte del control remoto	2EA
(5)	Batería (AAA)	2EA
(6)	Placa de instalación	1EA
(7)	Filtro antialérgico	1EA
(8)	Tornillo de fijación para la placa de instalación 4*25mm	5EA
(9)	Tornillo de madera para fijación en interiores	6EA

※ (4),(8),(9) → Tornillo

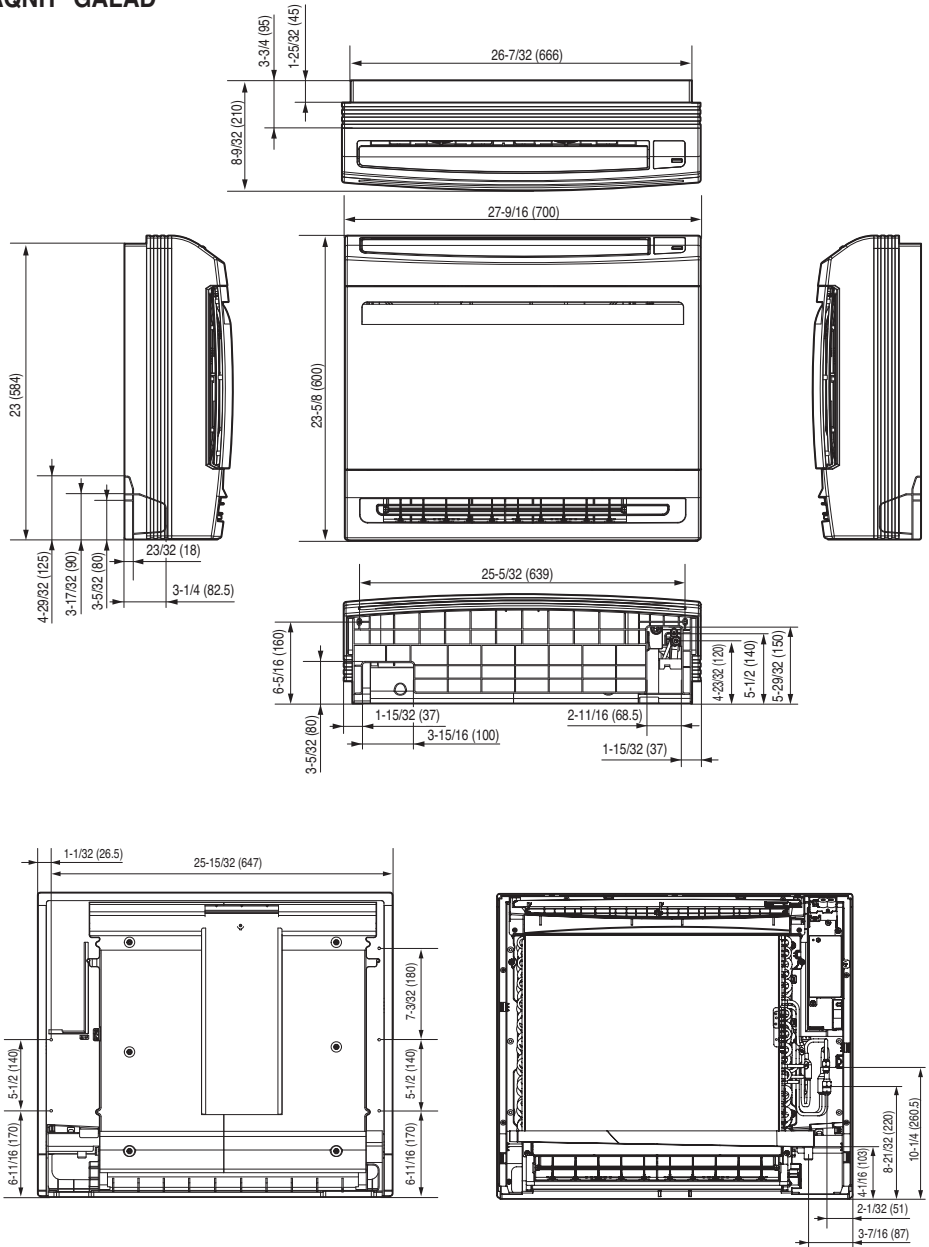
- La placa puede cambiar dependiendo del tipo de modelo.
 (Esta característica sólo está presente en la unidad exterior sencilla)

NOTA

(※) Debe comprar los componentes de instalación.

Diagrama de la unidad interior

AQNH**GALAD



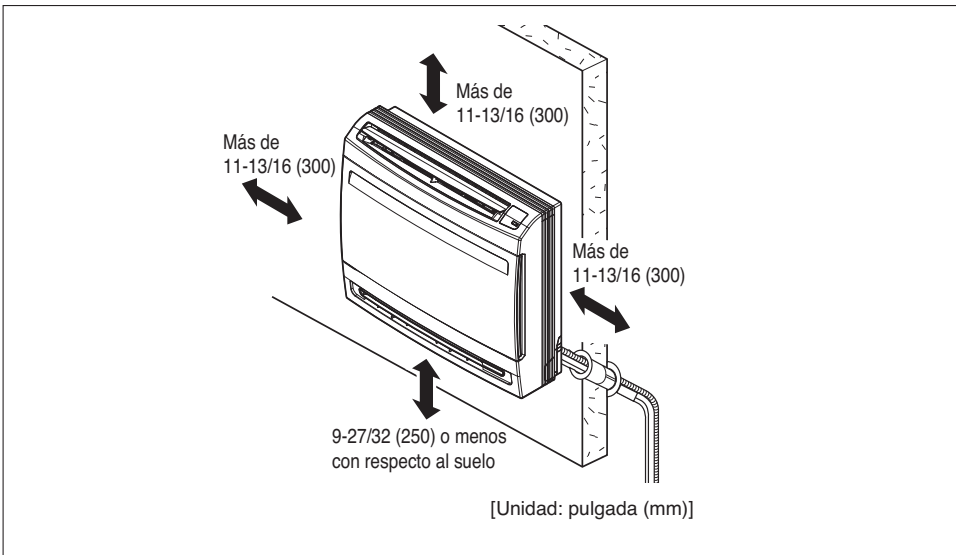
[Unidad: pulgada (mm)]

Elección del lugar de instalación

1. No debe haber ninguna fuente de calor o vapor cerca de la unidad.
2. Seleccione un lugar donde no haya obstáculos alrededor de la unidad.
3. Asegúrese de que el drenaje de la condensación pueda ser conducido cómodamente hacia fuera.
4. No lo instale cerca del hueco de una puerta.
5. Asegúrese de que la separación entre la pared y la izquierda (o derecha) de la unidad es mayor de 11-13/16" (300mm).
6. Utilice un detector de metales para localizar pernos y evitar daños innecesarios a la pared.
7. Mantenga el equipo alejado de lámparas fluorescentes con encendido electrónico ya que podrían reducir el alcance del control remoto.
8. Compruebe que la unidad esté alejada al menos 3.3ft (1m) del televisor o la radio. (Produce interferencias con la imagen o el sonido.)

NOTA

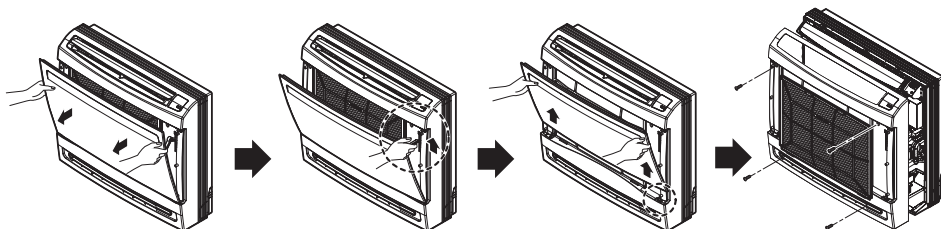
- Antes de elegir el lugar de instalación, obtenga la aprobación del usuario.
- Si la unidad se instala bajo una ventana, compruebe la interferencia con la cortina de la ventana [más de 11-13/16" (300mm)].



Instalación de la unidad interior

4-1. Preparación / Desmontaje del panel frontal

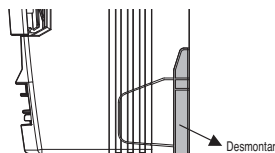
1. Abra la rejilla frontal tirando de ella hacia delante.
2. Luego, extraiga el eslabón de la rejilla de la ranura situada en el panel frontal.
3. Extraiga dos bisagras de la rejilla de las ranuras del panel frontal.
4. Retire los 4 tornillos y tire del panel frontal hacia delante para desmontarlo.



4-2. Preparación / Para molduras, tuberías e instalación oculta

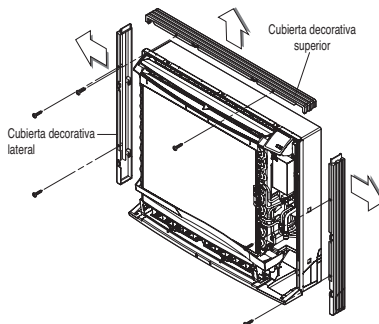
4-2-1 Para molduras

1. Desmonte las partes con hendiduras del panel posterior.



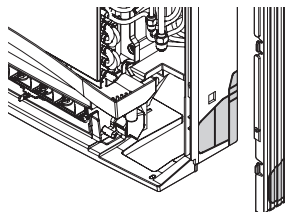
4-2-2 Para la instalación oculta

1. Quite los 6 tornillos.
2. Desmonte la cubierta decorativa superior.
3. Desmonte las cubiertas decorativas laterales.



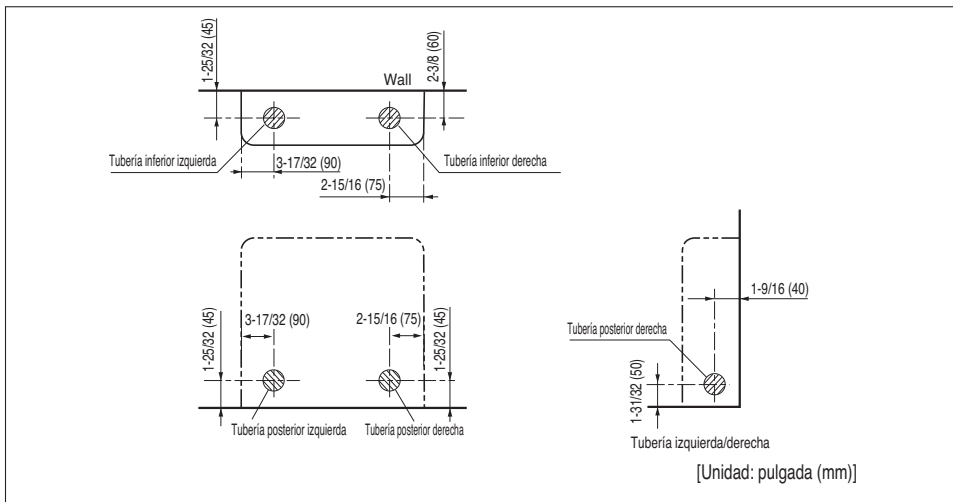
4-2-3 Para las tuberías (Referencia 4-2-2.)

1. Desmonte las cubiertas decorativas.
2. Desmonte las partes con hendiduras.
3. Monte las cubiertas decorativas.



4-3. Tubería del refrigerante

1. La ubicación del orificio será diferente según el lado de la tubería que se extrae.
2. Perfore un orificio $\varnothing 2\text{-}3/4"$ (70mm) en el punto indicado por el símbolo (⊗) de la siguiente ilustración.



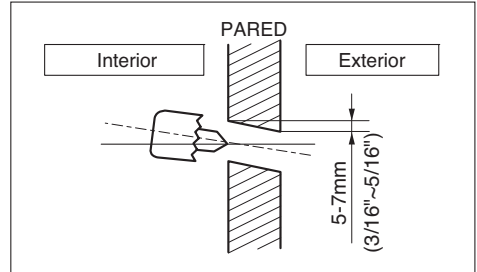
ESPAÑOL

NOTA

- Para evitar el ruido proveniente de la unidad exterior y vibraciones, la longitud más corta recomendada de la tubería es de 16.4ft (5m).

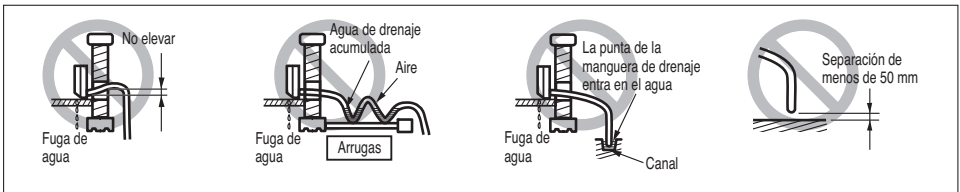
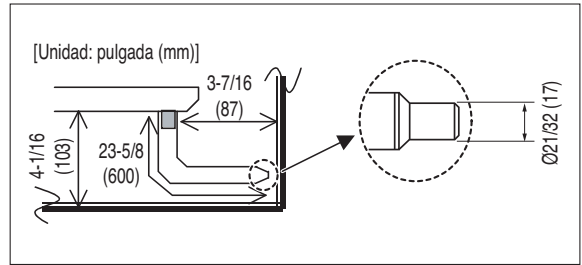
4-4. Taladre un orificio en la pared

- El taladro de conductos debe realizarse con una broca de $\text{Ø } 2\text{-}3/4''$ (70mm). Realice el taladro a la derecha o izquierda con el orificio ligeramente inclinado hacia el exterior.



4-5. Tubería de drenaje

1. El diámetro exterior de la tubería de drenaje (que se suministra con la unidad interior) es de $21/32''$ (17mm) en el extremo de conexión, y tiene una longitud de $23\text{-}5/8''$ (600mm).
2. Para realizar un alargamiento, utilice tuberías rígidas de PVC de uso comercial.
3. Para evitar la condensación, aisle la tubería de drenaje interior con $13/32''$ (10mm) o más de material aislante.



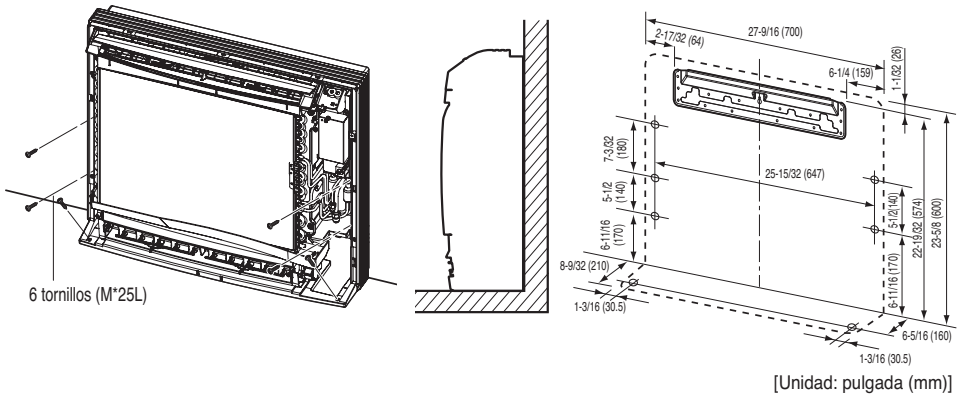
NOTA

- La tubería de drenaje debería estar inclinada hacia abajo para que el agua fluya suavemente sin que se produzcan acumulaciones.

4-6. Instalación de la unidad interior

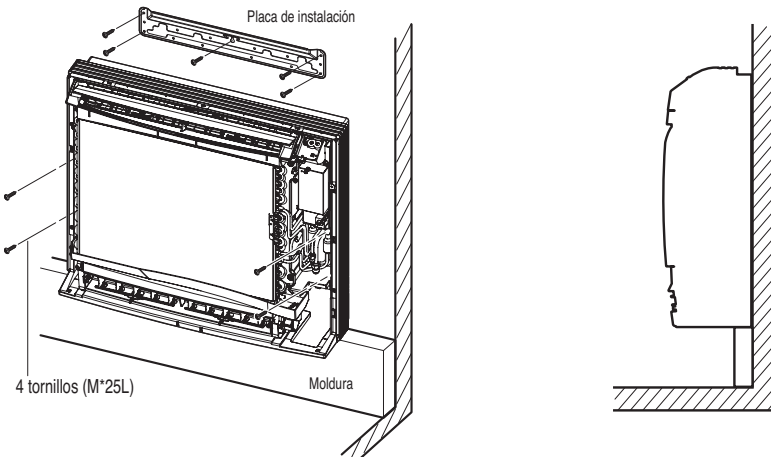
4-6-1 Instalación en el suelo

1. Realice la fijación con los 6 tornillos para la instalación en el suelo.



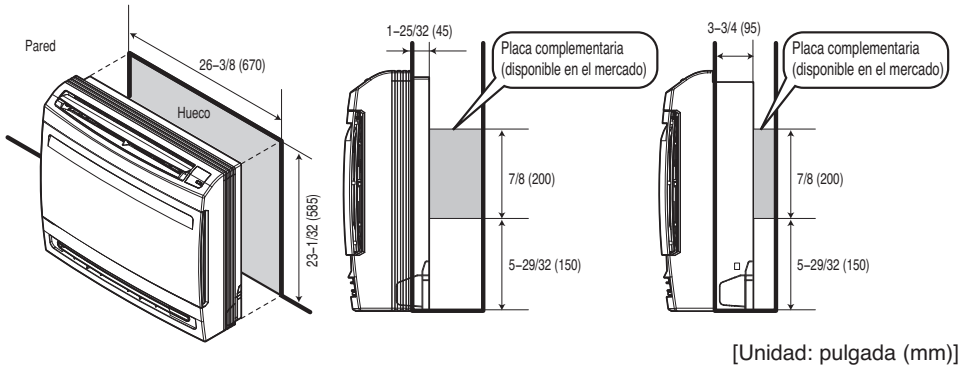
4-6-2 Instalación en la pared

1. Fije la placa de instalación empleando 5 tornillos, y la unidad interior con 4 tornillos.
2. La placa de instalación deberá fijarse a una pared que soporte el peso de la unidad interior.



4-6-3 Instalación semioculta

1. Realice un hueco en la pared del tamaño indicado en la Fig.-1.



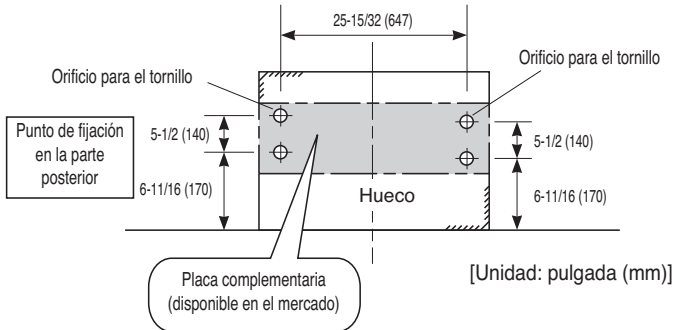
<Fig - 1>

1) Ocultación normal

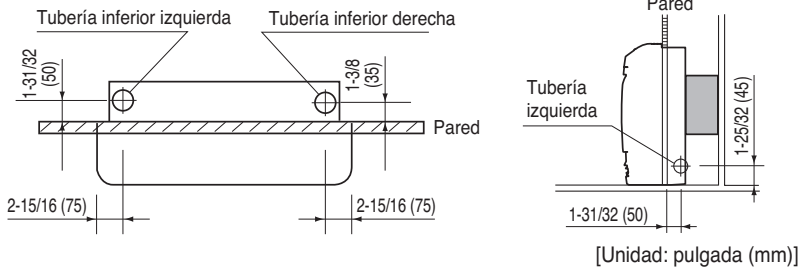
2) Ocultación máxima

2. Instalación de la placa complementaria para fijar la unidad principal

- La parte posterior de la unidad se puede fijar con tornillos en los puntos que se indican en la Fig.-2. Asegúrese de instalar la placa complementaria en función de la profundidad del muro interno.

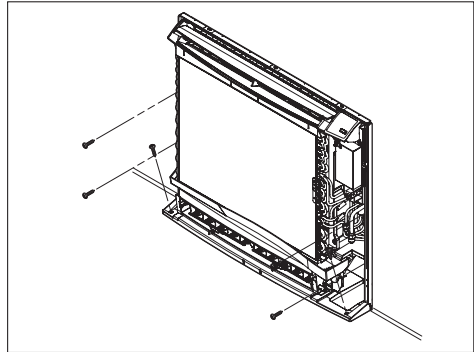


3. Conducto para tuberías



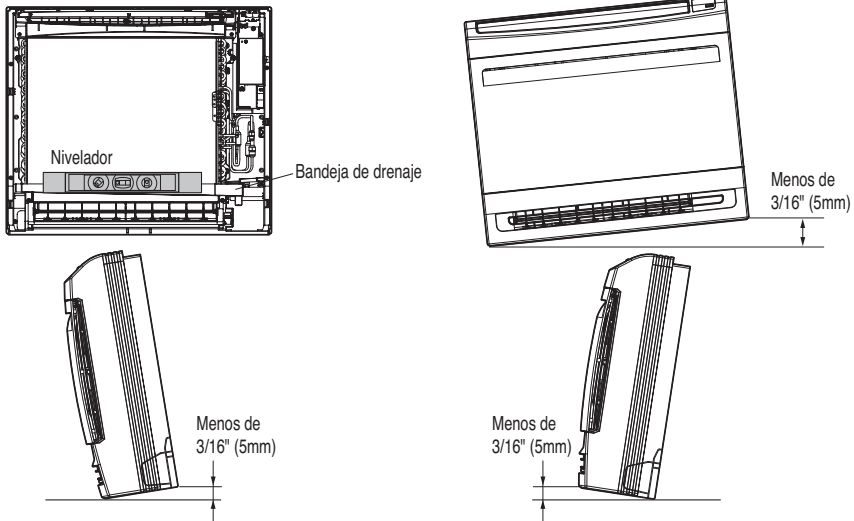
4. Desmonte las cubiertas decorativas y fije la unidad interior

- 1) Desmonte las cubiertas decorativas. (Referencia 4-2-2.)
- 2) Inserte la unidad interior en el hueco de la pared.
- 3) Fíjela con 6 tornillos (como se muestra en la ilustración).



NOTA

- Compruebe la nivelación de la unidad interior respecto a la pared.
Coloque el nivelador sobre la guía de la bandeja de drenaje.

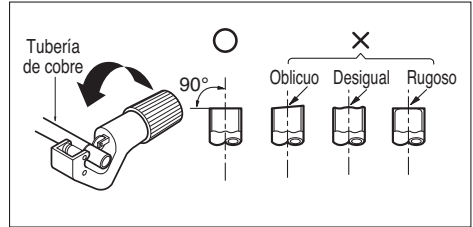


Abocinado

La causa principal de las fugas de gas es un abocinado defectuoso. Lleve a cabo correctamente el abocinado como se detalla a continuación.

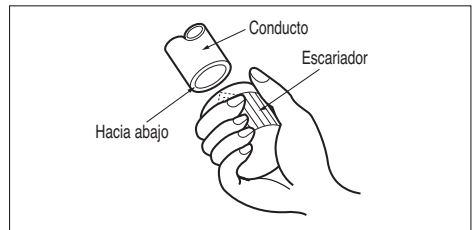
Corte las tuberías y el cable.

1. Utilice el kit de accesorios de tuberías o las tuberías compradas localmente.
2. Mida la distancia existente entre la unidad interior y la exterior.
3. Corte las tuberías un poco más largas que la distancia medida.
4. Corte el cable 4.9ft(1.5m) más largo que la tubería.



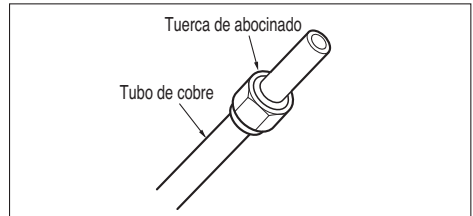
Eliminación de rebabas

1. Elimine completamente todas las rebabas de la sección cortada de la tubería/conducto.
2. Al eliminar las rebabas, ponga el extremo de la tubería de cobre hacia abajo. Esto también se hace para evitar que las rebabas caigan dentro de la tubería.



Colocación de la tuerca

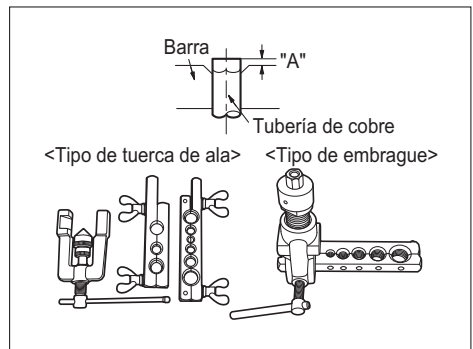
- Retire las tuercas de abocinado de las unidades de interior y exterior y colóquelas en la tubería una vez eliminadas las rebabas. (Es imposible colocarlas una vez abocinada la tubería.)



Abocinado

1. Sujete la tubería de cobre firmemente en una vara con la dimensión mostrada en la tabla siguiente.
2. Lleve a cabo el abocinado con la herramienta adecuada.

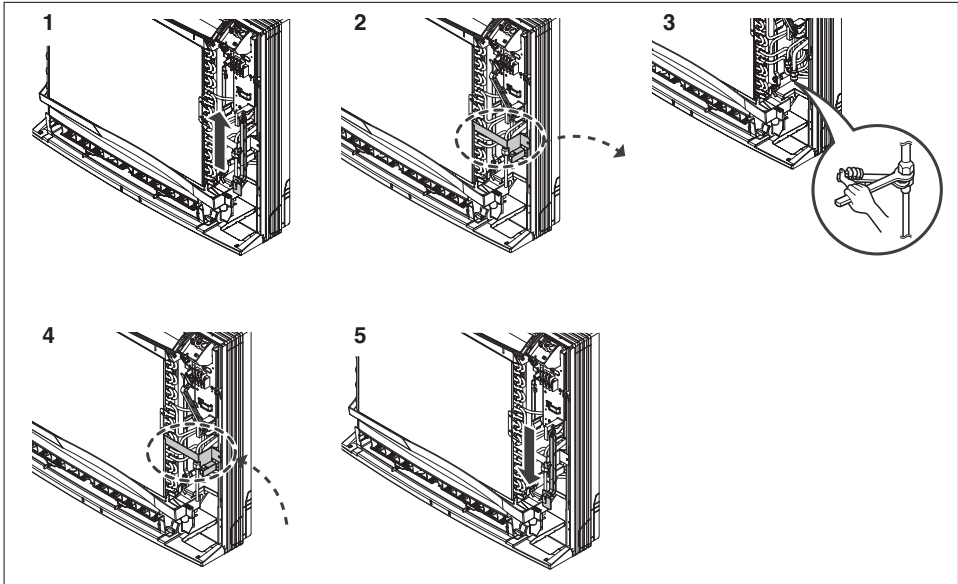
Tamaño de la tubería (mm)	A pulgada (mm)	
	Tipo de tuerca de ala	Tipo de embrague
Ø 1/4 (Ø6.35)	0.04~0.05(1.1~1.3)	0~0.02 (0~0.5)
Ø 3/8 (Ø9.52)	0.06~0.07(1.5~1.7)	
Ø 1/2 (Ø12.7)	0.06~0.07(1.6~1.8)	
Ø 5/8 (Ø15.88)	0.06~0.07(1.6~1.8)	
Ø 3/4 (Ø19.05)	0.07~0.08(1.9~2.1)	



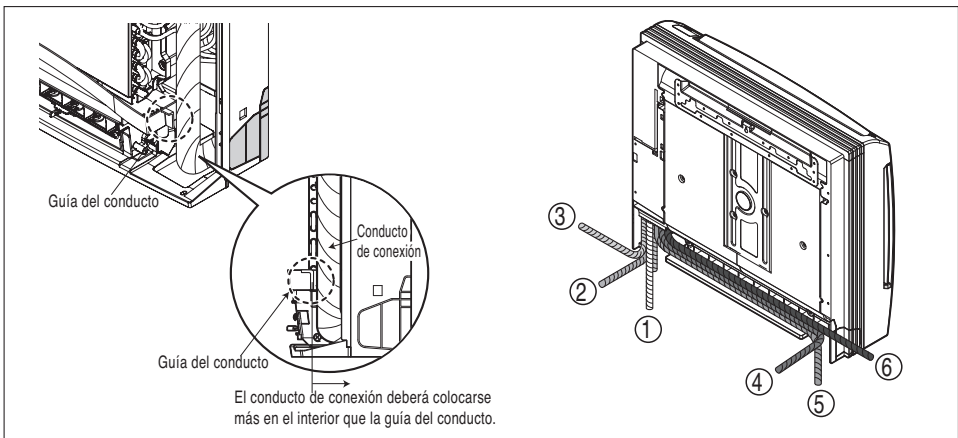
Conexión de los conductos

Cuando vaya a conectar la tubería del refrigerante, es más fácil que conecte primero el conducto del gas.

1. Mantenga elevado el enlace del sensor.
2. Separe el soporte del conducto (2 tornillos)
3. Conecte la tubería del refrigerante. (Consulte la página siguiente)
4. Monte el soporte del conducto (2 tornillos)
5. Baje el enlace del sensor



6. Tras su conexión, revise la colocación de la tubería según se indica en la ilustración.
7. La tubería se puede colocar de seis maneras distintas, como se indica en la siguiente ilustración.



⚠ PRECAUCIÓN

Si la manguera de drenaje discurre por el interior de la habitación, aisle la manguera con un material aislante* para que el goteo del sudado (condensación) no dañe los muebles o el suelo.

* Es recomendable usar polietileno expandido o un material similar.

Conexión del conducto de instalación y la manguera de drenaje a la unidad interior.

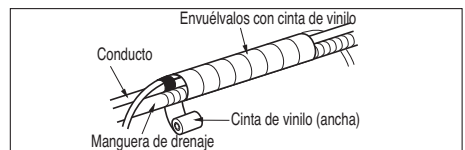
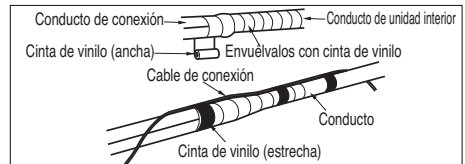
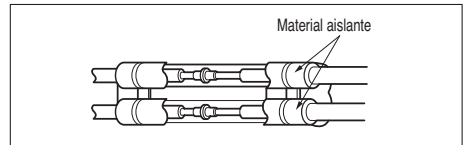
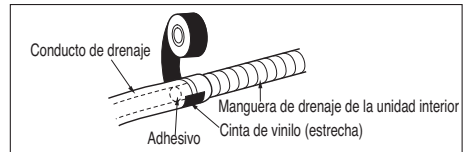
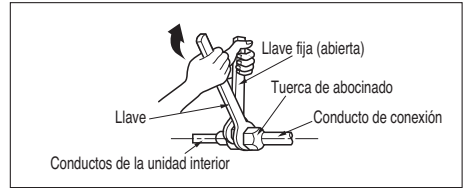
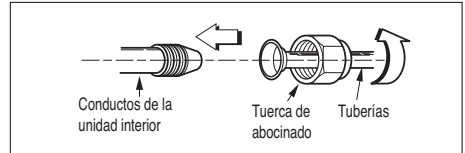
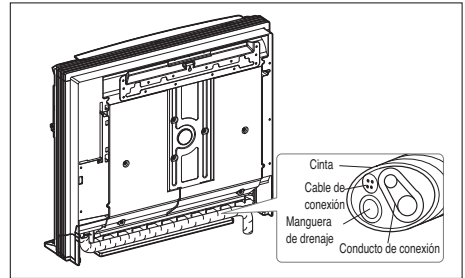
1. Alinee el centro de las conducciones y apriete suficientemente la tuerca de abocinado con la mano.
2. Apriete la tuerca de abocinado con una llave.

Diámetro exterior		Torsión
mm	pulg	kgf-m
Ø6.35	1/4	1.8~2.5
Ø9.52	3/8	3.4~4.2
Ø12.7	1/2	5.5~6.5
Ø15.88	5/8	6.3~8.2
Ø19.05	3/4	9.9~12.1

3. Cuando necesite extender la manguera de drenaje de la unidad interior, monte la manguera de drenaje como se muestra en el diagrama.

Envuelva el material aislante alrededor de la parte de la conexión.

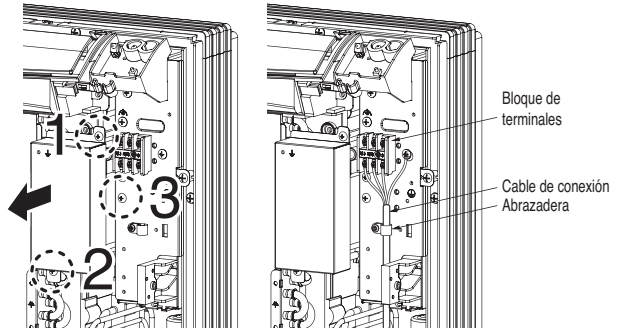
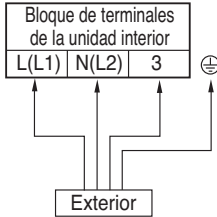
1. Solape el material aislante del conducto de conexión y el material aislante del conducto de la unidad interior. Envuélvalos juntos con cinta de vinilo para que no haya huecos.
2. Envuelva el área que albergue la sección de conducto trasera con cinta de vinilo.
3. Agrupe los conductos y la manguera de drenaje envolviéndolos con cinta de vinilo hasta un grosor suficiente para cubrir la sección de la carcasa de conductos posterior.



Conexión eléctrica

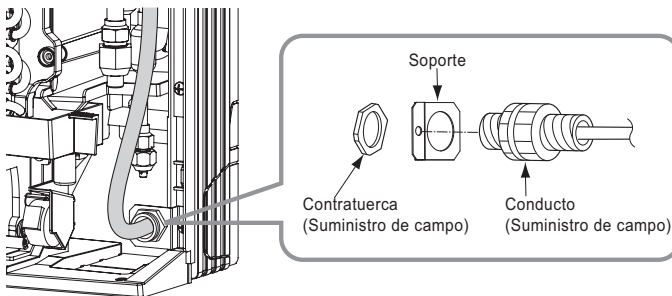
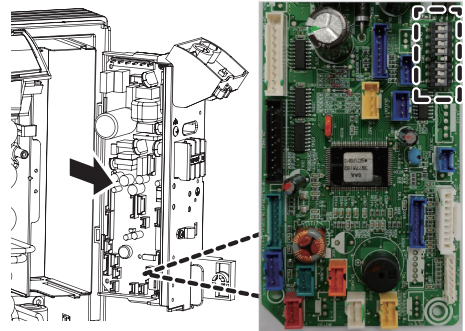
Conexión eléctrica

1. Afloje los tornillos nº 1 y 2 de la tapa de la caja de control.
2. Conecte el cable al bloque de terminales como se muestra en el diagrama.



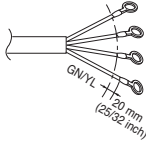
3. Fije el cable en el panel de control con la abrazadera del cable.
4. Si fuese necesario configurar la unidad interior, afloje el tornillo nº 3 y levante la placa de circuito impreso. (opción: uso de las paletas inferiores, limitar el ángulo de la rejilla superior)

Conmutador	Descripción	Conmut. OFF	Conmut. ON
Nº 5	Tipo de instalación	Expuesto	Semioculto
Nº7	Rejilla	Rejilla superior+inferior	Sólo rejilla superior

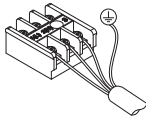


⚠ PRECAUCIÓN

El cable de conexión de alimentación entre las unidades interiores y exteriores cumplirá con las siguientes especificaciones: reconocido por NRTL (por ejemplo, reconocido por UL o ETL y con certificación CSA). AWG 18-4 es el tamaño de cable mínimo recomendado, pero los conductores seleccionados deben cumplir con la normativa local y serán adecuados para la instalación en condiciones de humedad.

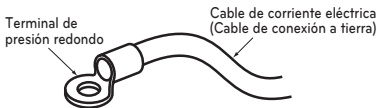


Si el cable de alimentación está dañado, debe ser sustituido por un cable especial o por un conjunto que se puede conseguir en el fabricante o en su servicio oficial. Cuando la línea de conexión entre la unidad interior y la exterior tiene más de 40 m, conecte la línea de telecomunicación y la de alimentación por separado.



Precauciones a tener en cuenta durante la disposición del cableado de alimentación y conexión a tierra

Utilice terminales de presión redondos para las conexiones al bloque del terminal de corriente. Al tender el cableado de conexión a tierra, debe utilizar terminales de presión redondos.



Cuando no estén disponibles, siga las instrucciones que se exponen a continuación.

- No conecte cableado eléctrico con diferentes grosores al bloque de terminales de corriente eléctrica. (Las holguras en el cableado eléctrico pueden ocasionar un calentamiento anormal.)
- Al conectar un cableado eléctrico del mismo grosor, siga estas instrucciones:



- Para el cableado, use el cable de alimentación designado y conéctelo firmemente, a continuación, fíjelo para evitar que la presión exterior afecte al bloque de terminales.
- Use un destornillador adecuado para apretar los tornillos del terminal.
Un destornillador con una punta pequeña dañaría la cabeza y haría imposible un apretado adecuado.
- Apretar demasiado los tornillos de los terminales podría romperlos.

NOTA

Utilice cable de conexión listado en NRTL (UL, ETL, CAS...) y conductores de cobre trenzados (4) THHN, camisa de PVC resistente a la luz solar (UV) que cumpla con ROHS y que se pueda enterrar directamente, con aprobación para condiciones de humedad. Capacidad de temperatura para $-20\text{ }^{\circ}\text{C}$ ($-4\text{ }^{\circ}\text{F}$) a $90\text{ }^{\circ}\text{C}$ ($194\text{ }^{\circ}\text{F}$). El cable se introducirá en un conducto.

⚠ ADVERTENCIA

- Asegúrese de cumplir con la legislación local al conectar el cable desde la unidad interior a la unidad exterior (tamaño del cable y método de cableado, etc.).
- Todos los cables deben conectarse firmemente.
- No permita que ningún cable entre en contacto con la tubería de refrigerante, el compresor o cualquier parte móvil.
- El cableado de comunicación del aire acondicionado estará separado y aislado del cableado eléctrico de aparatos externos, como ordenadores, ascensores, aparatos de emisión de radio y televisión, además de oficinas de imágenes para fines médicos.

⚠ ADVERTENCIA

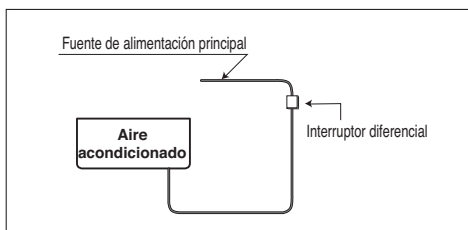
Un cableado flojo puede causar que el terminal se sobrecaliente o derive en averías en la unidad. También puede existir riesgo de incendio. Asegúrese, por tanto, de que todo el cableado está firmemente conectado.

Cableado eléctrico

1. Todos los cables deberán cumplir las **NORMATIVAS LOCALES**.
2. Seleccione una fuente de alimentación capaz de suministrar la corriente necesaria al aire acondicionado.
3. Dirija la fuente de alimentación hacia la unidad a través de un circuito de distribución diseñado para este fin.
4. Los tornillos de los terminales de la caja de control podrían estar flojos debido a las vibraciones que se producen durante el transporte. Revise los tornillos por si hubiera conexiones flojas. (La puesta en marcha del aire acondicionado con una conexión floja puede sobrecargar y dañar los componentes eléctricos.)
5. Conecte el aire acondicionado a una toma de tierra con un cable y un conector de masa que cumplan las **NORMATIVAS LOCALES**.

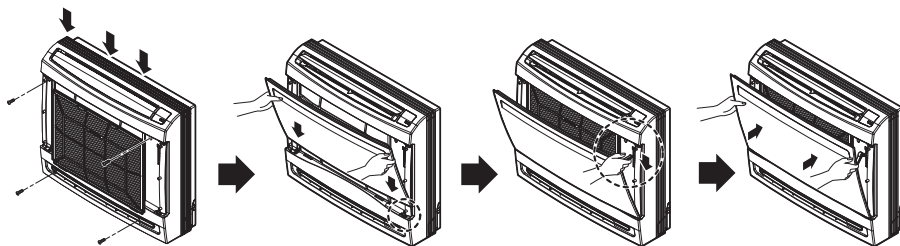
⚠ PRECAUCIÓN

- El diagrama del circuito está sujeto a cambios sin previo aviso.
- Asegúrese de que conecta los cables según el diagrama de cableado.
- Conecte los cables firmemente, de forma que no puedan salirse con facilidad.
- Conecte los cables según el código de colores consultando el diagrama de cableado.



Instalación del panel frontal

1. Coloque el panel frontal sobre la unidad interior y presione en la zona superior marcada con las flechas.
2. Revise el sensor del aire e instale los 4 tornillos.
3. Seguidamente, monte la rejilla frontal y coloque las bisagras.
4. Cierre la rejilla.

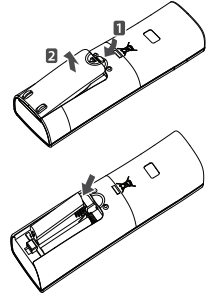


Prueba de funcionamiento

1. Compruebe que todos los conductos y cables se han conectado correctamente.
2. Compruebe que las válvulas de líquido y gas se encuentran completamente abiertas.

Prepare el control remoto

1. Retire la cubierta de la batería tirando en la dirección de las flechas.
2. Inserte las baterías nuevas asegurándose de que los polos (+) y (-) se colocan en la posición correcta.
3. Vuelva a colocar la cubierta deslizándola de nuevo en su posición.



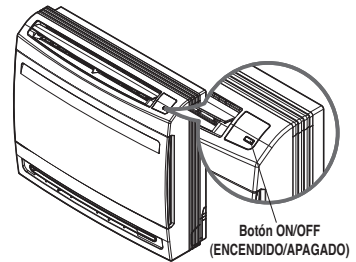
NOTA

1. Utilice siempre baterías del mismo tipo.
2. Si el sistema no va a usarse durante un largo periodo de tiempo, retire las baterías para alargar su vida útil.
3. Si la pantalla del control remoto comienza a perder intensidad, cambie ambas baterías.
4. Utilice 2 baterías AAA (1.5 v.).

Funcionamiento de prueba

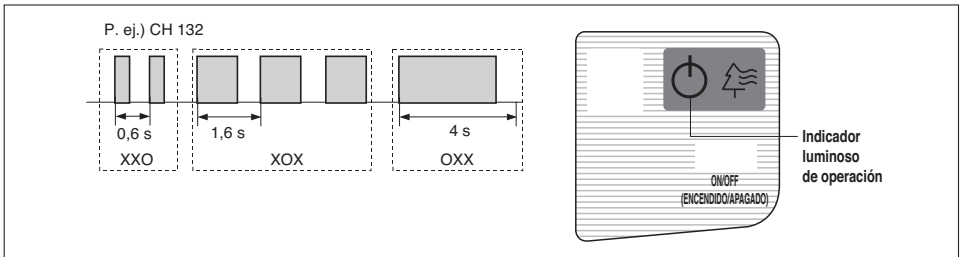
Durante el FUNCIONAMIENTO DE PRUEBA, la unidad funcionará en modo refrigeración con una velocidad de ventilador alta, independientemente de la temperatura de la sala y se reiniciará a los 18 minutos.

Durante el funcionamiento de prueba, si se recibe señal del control remoto, la unidad funcionará con las órdenes del control remoto. Si desea usar esta operación, mantenga pulsado el botón ON/OFF (ENCENDIDO/APAGADO) durante 3~5 segundos y podrá oír un pitido. Si desea detener la operación, vuelva a pulsar el botón.



Función de autodiagnóstico

Esta unidad incluye una función de diagnóstico de errores. El error se indica mediante el indicador luminoso de operación de color rojo. Si ocurre esto, póngase en contacto con su técnico de mantenimiento/distribuidor.

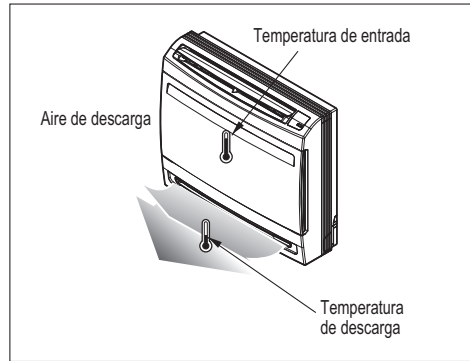


Evaluación del rendimiento

Utilice la unidad durante 10~15 minutos, a continuación, compruebe la carga de refrigerante del sistema:

1. Mida la presión del gas en la válvula de servicio.
2. Mida la temperatura del aire de la entrada y salida del aire acondicionado.
3. Asegúrese de que la diferencia entre la temperatura del aire de entrada y la del de salida es superior a 46.4°F (8°C).
4. Como referencia, la presión del gas para un funcionamiento óptimo es la que se muestra en la tabla (refrigeración).

El aire acondicionado ya está preparado para ser utilizado.



Refrigerante	TEMP. ambiente exterior	Presión del gas
R-410A	95°F (35°C)	8.5~9.5kg/cm ² G(120~135 P.S.I.G.)

ESPAÑOL

NOTA

Si la presión real es mayor que la mostrada, es probable que el sistema se sobrecargue por lo que debería extraerse algo de carga.

Si la presión real es menor que la mostrada, es probable que la carga del sistema sea insuficiente por lo que debería añadirse algo de carga.

GARANTÍA (USA)

AVISO DE ARBITRAJE: ESTA GARANTÍA A LIMITADA CONTIENE UNA CLÁUSULA DE ARBITRAJE QUE LE DEMANDA A USTED Y A LG RESOLVER CONFLICTOS A TRAVÉS DE UN ARBITRAJE VINCULANTE EN LUGAR DE HACERLO EN LA CORTE, A MENOS QUE USTED DECIDA NO PARTICIPAR. EN EL ARBITRAJE NO ESTÁN PERMITIDAS LAS ACCIONES COLECTIVAS NI LOS JUICIOS CON JURADO. POR FAVOR, VEA A CONTINUACIÓN LA SECCIÓN TITULADA "PROCEDIMIENTO PARA RESOLVER CONFLICTOS".

PROCEDIMIENTO PARA RESOLVER CONFLICTOS:

TODOS LOS CONFLICTOS ENTRE USTED Y LG QUE SURJAN FUERA DE O RELACIONADOS DE ALGUNA MANERA CON ESTA GARANTÍA A LIMITADA O CON EL PRODUCTO, SE RESOLVERÁN EXCLUSIVAMENTE A TRAVÉS DE UN ARBITRAJE VINCULANTE Y NO EN UNA CORTE DE JURISDICCIÓN GENERAL. ARBITRAJE VINCULANTE SIGNIFICA QUE USTED Y LG RENUNCIAN AL DERECHO DE UN JUICIO CON JURADO Y A REALIZAR O PARTICIPAR EN UNA DEMANDA COLECTIVA.

Definiciones. Para el propósito de esta sección, las referencias a "LG" significan: LG Electronics U.S.A., Inc., sus empresas matrices, subsidiarias y filiales y cada uno de sus directivos, directores, empleados, agentes, beneficiarios, predecesores en interés, sucesores, cesionarios y proveedores; las referencias a "conflicto" o "reclamación" incluirán cualquier conflicto, reclamo o controversia de cualquier tipo, sin importar (ya sea basado en contrato, agravio, estatuto, regulación, ordenanza, fraude, falsa representación o cualquier teoría legal o equitativa) que surja de o esté relacionada con cualquier forma de venta, condición o desempeño del producto o de esta Garantía Limitada.

Aviso de disputa. En caso de que usted desee iniciar un procedimiento de arbitraje, primero debe notificar a LG por escrito al menos 30 días antes de iniciar el arbitraje enviando una carta a LG a LG Electronics, USA, Inc. Atención: Legal Department- Arbitration 1 000 Sylvan Ave, Englewood Cliffs 07632. Usted y LG aceptan participar en discusiones de buena fe en un intento de resolver su reclamo de manera amistosa. En la carta debe proporcionar su nombre, dirección y número de teléfono; identificar el producto que es objeto de la reclamación; y describir la naturaleza del reclamo y el remedio que busca. Si usted y LG no pueden resolver la disputa dentro de 30 días, cualquiera de las partes puede proceder a presentar una demanda de arbitraje.

Acuerdo de arbitraje vinculante y renuncia de demanda colectiva. En caso de no resolver la disputa durante el período de 30 días después de enviar una notificación por escrito a LG, Usted y LG se comprometen a resolver cualquier reclamo entre nosotros, solamente a través de arbitraje vinculante sobre una base individual, a menos que usted se excluya, conforme a lo dispuesto a continuación. Cualquier conflicto entre usted y LG no estarán combinados o consolidados con una controversia relacionada con cualquier otro producto o reclamo de otra persona o entidad. Más específicamente y sin perjuicio de lo anterior, no procederá bajo ninguna circunstancia cualquier disputa entre usted y LG como parte de una acción colectiva o representativa. En lugar del arbitraje, cualquiera de las partes podrá iniciar una acción individual en la corte de reclamos menores, pero tales acciones en la corte de reclamos menores no podrán ser realizadas en una acción colectiva o representativa.

Normas y procedimientos de arbitraje. Para comenzar con el arbitraje de un reclamo, usted o LG deben realizar una demanda escrita para arbitraje. El arbitraje será administrado por la Asociación Americana de Arbitraje (AAA) y se llevará a cabo ante un árbitro único bajo las Normas de Arbitraje del Consumidor de la AAA, que tienen efecto al momento de inicio del arbitraje (en adelante "Normas de la AAA") y bajo los procedimientos establecidos en esta sección. Las Normas de la AAA están disponibles en línea en www.adr.org/consumer. Envíe una copia de su solicitud de arbitraje por escrito, así como una copia de esta disposición, a la AAA de la forma descrita en las Normas de la AAA. También debe enviar una copia de su solicitud por escrito a LG en LG Electronics, USA, Inc. Atención: Legal Department- Arbitration 1000 Sylvan Ave, Englewood Cliffs 07632. Si hay un conflicto

entre las Normas de la AAA y las reglas establecidas en esta sección, prevalecerán dichas reglas de esta sección.

Esta disposición de arbitraje se rige por la Ley Federal de Arbitraje. El juicio se puede introducir en el laudo arbitral en cualquier tribunal de jurisdicción competente. Todos son temas para que el árbitro tome sus decisiones, excepto aquellos asuntos relativos al alcance y aplicabilidad de la cláusula de arbitraje y de la capacidad de arbitraje de la controversia para que el tribunal decida. El árbitro se regirá por los términos de esta disposición.

Legislación vigente. La legislación del estado de su residencia regirá esta Garantía Limitada, así como todas las disputas entre nosotros, salvo que sea invalidada o inconsistente con leyes federales aplicables.

Tarifas / Costos. Usted no debe pagar ninguna tarifa para comenzar un arbitraje. Al recibir su solicitud de arbitraje por escrito, LG pagará todos los gastos administrativos rápidamente a la AAA, a menos que usted solicite más de \$25 000.00 por daños, en cuyo caso el pago de estos gastos se regirá por las Normas de la AAA. Salvo disposición contraria prevista en el presente documento, LG pagará a la AAA todos los gastos documentales, administrativos y de arbitraje para cualquier arbitraje iniciado, de conformidad con las Normas de la AAA y esta disposición de arbitraje. Si usted prevalece en el arbitraje, LG pagará los honorarios y gastos de sus abogados, siempre y cuando sean razonables, considerando factores que incluyen, entre otros, el monto de la compra y el monto del reclamo. No obstante lo anterior, si la ley aplicable permite una adjudicación de honorarios y gastos razonables de abogados, un árbitro puede otorgarlos en la misma medida que lo haré a un tribunal. Si el árbitro considera que la sustancia de su reclamo o la reparación solicitada en la demanda es frí vola o se utiliza para un propósito inadecuado (calificado según las normas establecidas en la Norma Federal de Procedimiento Civil 11 (b)), el pago de todos los honorarios de arbitraje se regirá por las Normas de la AAA. En tal situación usted se compromete a reembolsar a LG todos los fondos erogados previamente por ella, cuyo pago es, por otra parte, su obligación, según las Normas de la AAA. Salvo disposición contraria, LG renuncia a cualquier derecho que pudiera tener para solicitarle los honorarios y gastos de sus abogados, si LG prevalece en el arbitraje.

Audiencias y ubicación. Si su reclamo es por \$25 000 o menos, usted puede optar que el arbitraje sea realizado únicamente sobre la base de: (1) documentos presentados al árbitro, (2) a través de una audiencia telefónica o (3) por una audiencia en persona, según lo establecido por las Normas de la AAA. Si su reclamo excede \$25 000, el derecho a una audiencia estará determinado por las Normas de la AAA. Cualquier audiencia de arbitraje en persona se realizará en un lugar dentro del distrito judicial federal en el cual resida, a menos que ambos acuerden otra ubicación o estemos de acuerdo con el arbitraje telefónico.

Exclusión. Usted puede quedarse fuera de este procedimiento de resolución de la disputa. Si se excluye, ni usted ni LG pueden solicitar al otro que participe en un procedimiento de arbitraje. Para excluirse usted debe enviar una notificación a LG, en un lapso de hasta 30 días continuos, contados a partir de la fecha de la primera compra del consumidor del producto, ya sea por: (i) el envío de un correo electrónico a optout@lge.com con el siguiente Asunto: "Exclusión del arbitraje" o (ii) llamada al 1-800-980-2973. Debe incluir en el correo electrónico de exclusión o suministrar por teléfono: (a) su nombre y dirección; (b) la fecha en la cual el producto fue comprado; (c) el nombre o el número del modelo del producto; y (d) el número del serial (el número del serial puede ser hallado (i) en el producto, o (ii) en la dirección de <https://www.lg.com/us/support/repair-service/schedule-repair-continued> al hacer clic en "Find My Model & Serial Number").

Sólo puede excluirse del procedimiento de resolución de conflictos en la forma descrita anteriormente (es decir, por correo electrónico o por teléfono); ninguna otra forma de notificación será efectiva para hacerlo. Excluirse de este procedimiento de resolución de controversias no afectará de ninguna manera la cobertura de la Garantía Limitada, por lo que usted continuará disfrutando de todos sus beneficios. Si conserva este producto y no se excluye, usted acepta todos los términos y condiciones de la cláusula de arbitraje descrita anteriormente.



US	Please call the installing contractor of your product, as warranty service will be provided by them.
CANADA	Service call Number # : (888) LG Canada, (888) 542-2623 Numéro pour les appels de service : LG Canada, 1-888-542-2623